



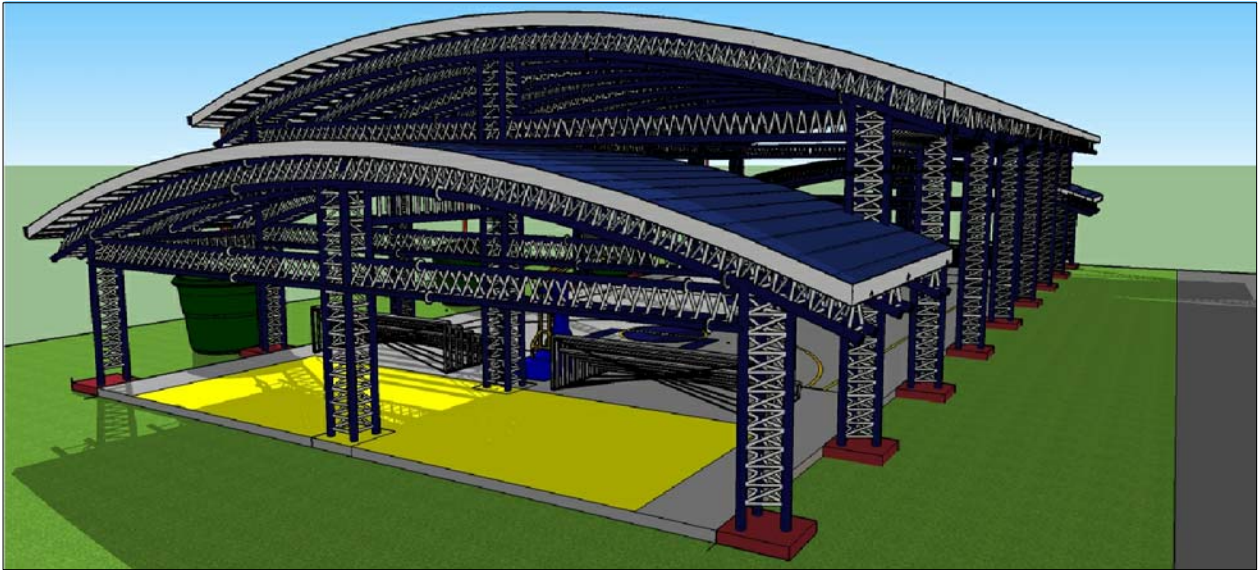
FEDERATED STATES OF MICRONESIA
STATE OF YAP



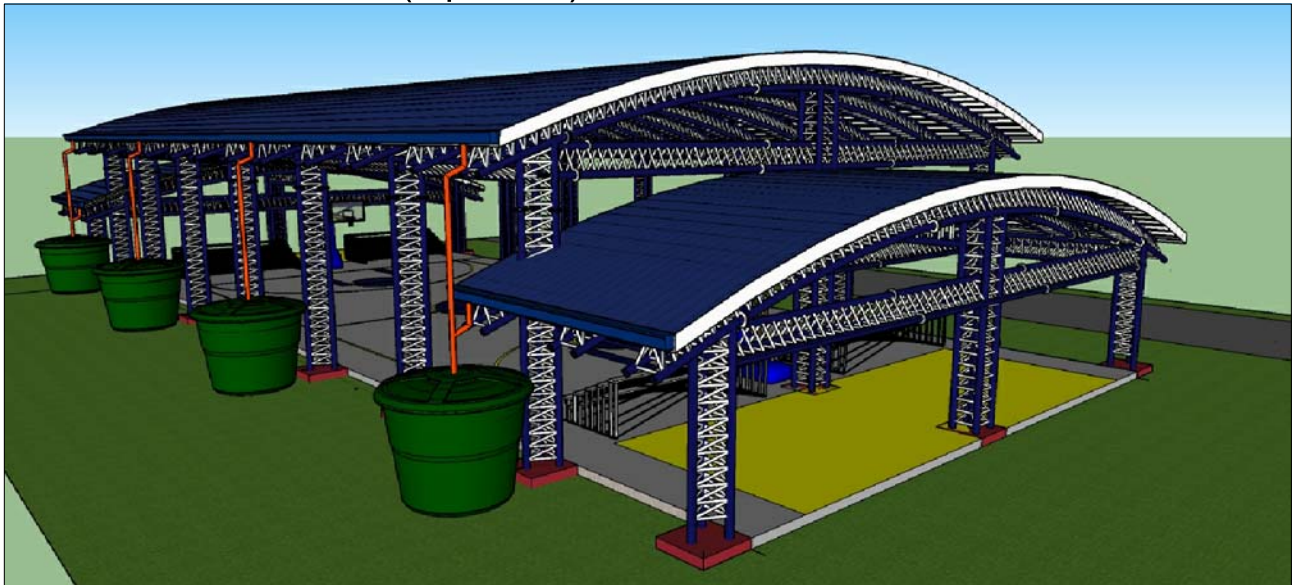
**DISASTER PREPAREDNESS FOR EFFECTIVE RESPONSE (PREPARE) PROGRAM
TYPHOON MAYSACK RECONSTRUCTION PROJECT (TMRP)
Repair/Reconstruction of Public Infrastructure and Utilities Project (RPIUP)**

PROJECT TITLE:

***YI023 Falalop Community Center-Covered Basketball Court
(Option 1)***



PERSPECTIVE (Option 1)



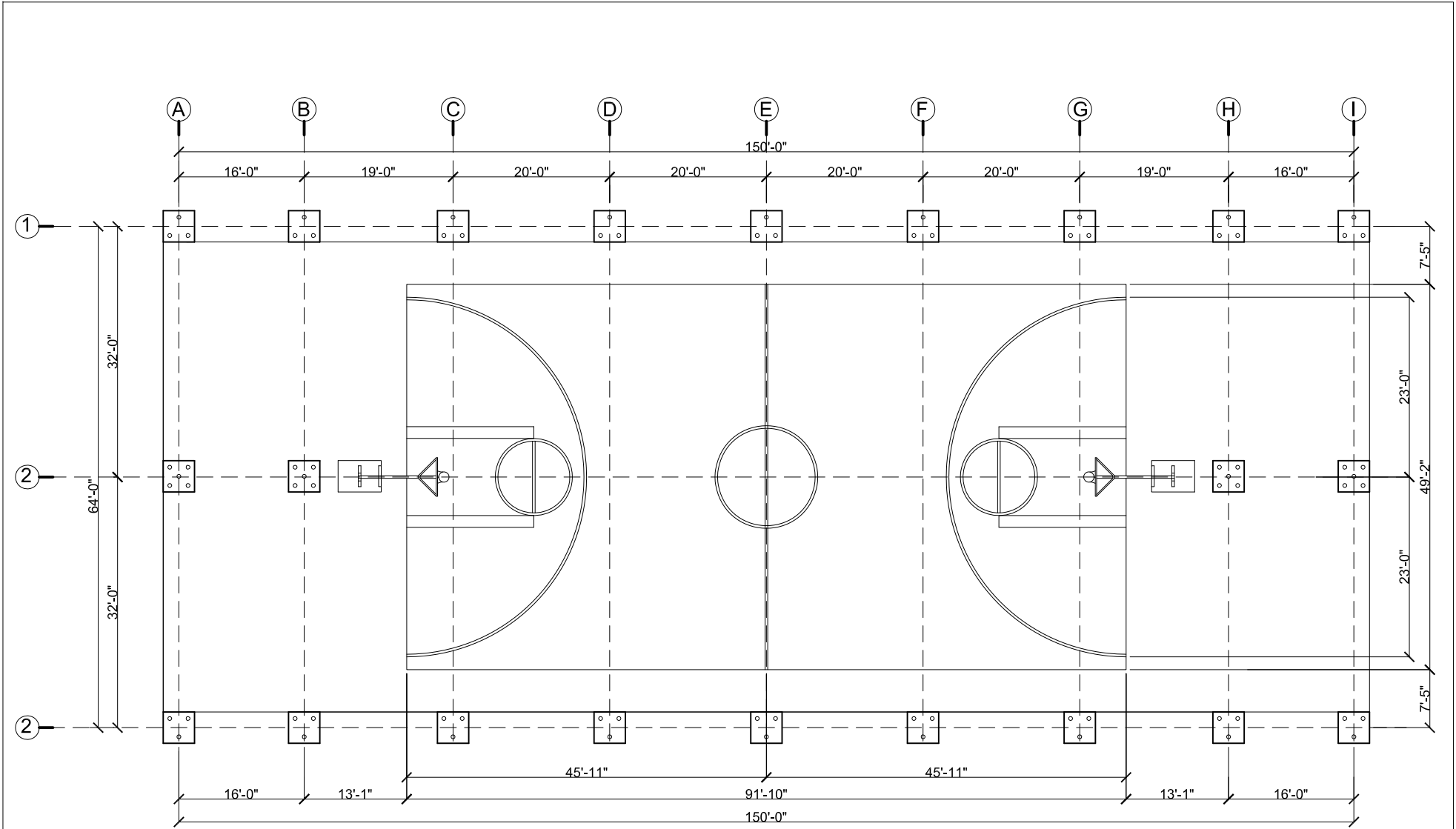
UNITED STATES AGENCY FOR INTERNATIONAL DEVELOPMENT

INTERNATIONAL ORGANIZATION FOR MIGRATION



IOM • OIM

APPROVALS:	NAME:	SIGNATURE	DATE:	AMMENDMENTS:	DRAWING TITLE:
DRAWN BY:	JOENIE L. MUJARES			DATE:	PROPOSED Y1023 Falalop Community Center-Covered Basketball Court
DESIGNED BY:	RBF/JLM			NOTE:	SHEET CONTENTS:
RECOM. FOR APPROVAL:	RIZALDY B. FAJARDO				
APPROVED BY:	GLANCY NATHAN MICHAEL				SHEET NO:
CHIEF OF PARTY:					



Covered Basketball Court
FLOOR PLAN
 SCALE NTS

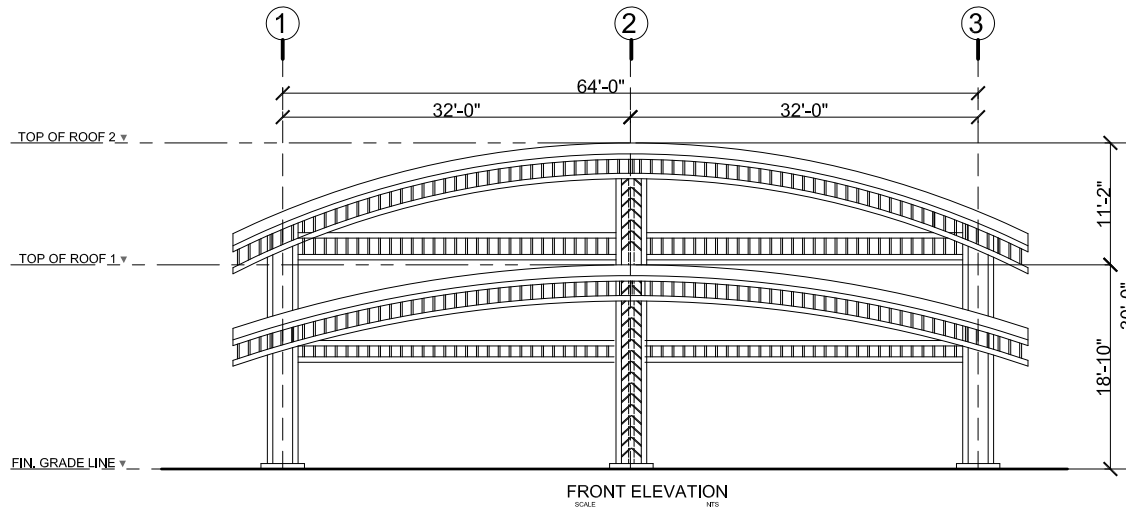
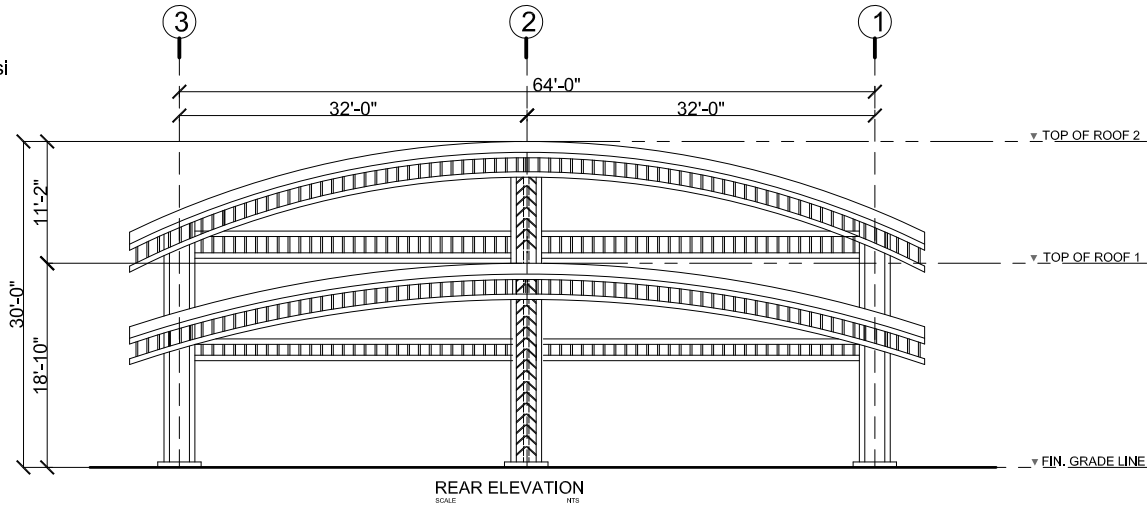


UNITED STATES AGENCY FOR
 INTERNATIONAL DEVELOPMENT
 INTERNATIONAL ORGANIZATION
 FOR MIGRATION



APPROVALS:	NAME:	SIGNATURE	DATE:	AMMENDMENTS:	DRAWING TITLE:
DRAWN BY:	JOENIE L. MUJARES			DATE: NOTE:	PROPOSED Y1023 Falalop Community Center-Covered Basketball Court
DESIGNED BY:	RBF/JLM				SHEET CONTENTS:
RECOM. FOR APPROVAL:	RIZALDY B. FAJARDO				
APPROVED BY:	GLANCY NATHAN MICHAEL				
CHIEF OF PARTY:					SHEET NO: A 1/4

Splice Plate - 1" thick
 Bolts - $\frac{3}{4}$ " ASTM A36
 Main - 4" dia pipe sch 80 astm 500 58000 psi
 Lattice - 1.5" dia pipe sch 80 astm 500 58000 psi



UNITED STATES AGENCY FOR
INTERNATIONAL DEVELOPMENT

INTERNATIONAL ORGANIZATION
FOR MIGRATION

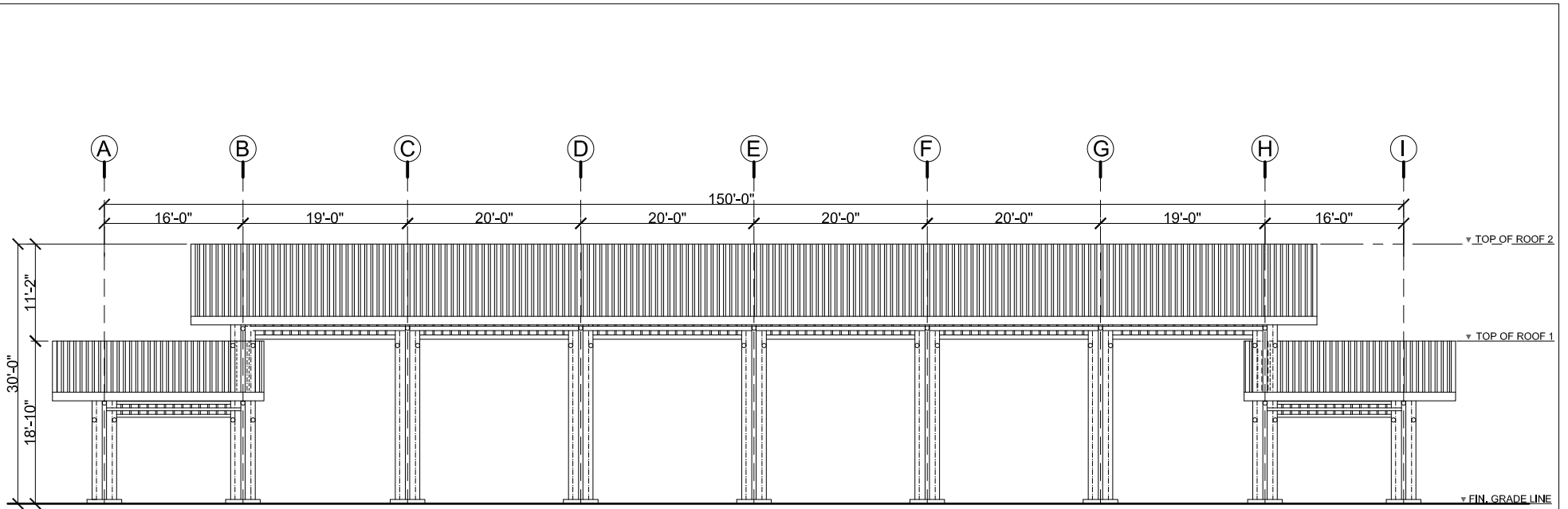


IOM • OIM

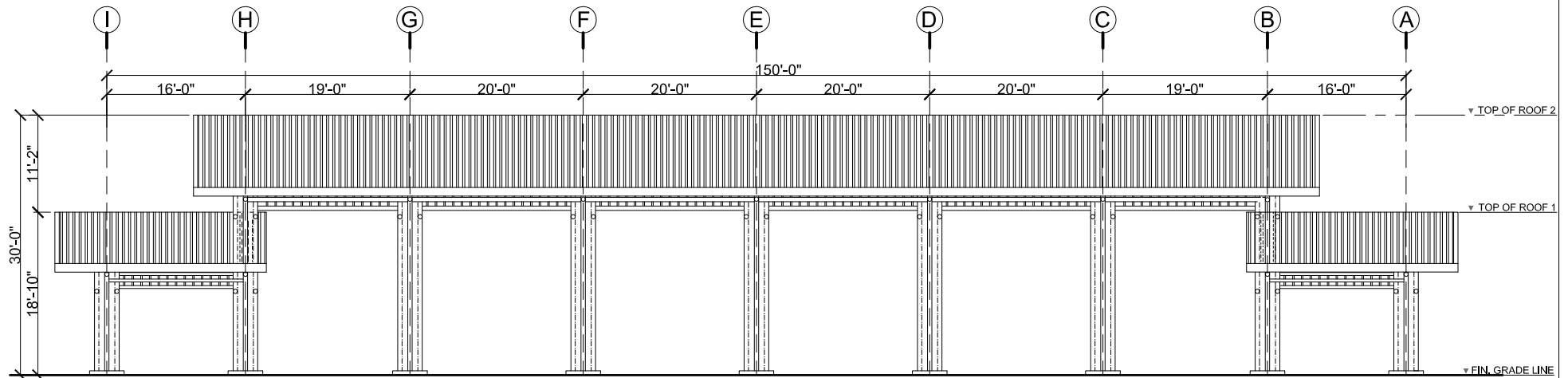
APPROVALS:	NAME:	SIGNATURE	DATE:	AMMENDMENTS:	DRAWING TITLE:
DRAWN BY:	JOENIE L. MUJARES			DATE:	NOTE:
DESIGNED BY:	RBF/JLM				
RECOM. FOR APPROVAL:	RIZALDY B. FAJARDO				
APPROVED BY:	GLANCY NATHAN MICHAEL				
CHIEF OF PARTY					
SHEET CONTENTS:					SHEET NO:
					A 2/4

PROPOSED Y1023 Falalop Community Center-Covered Basketball Court

SHEET NO:
A 2/4



RIGHT SIDE ELEVATION
SCALE: 1/8" = 1'-0"



LEFT SIDE ELEVATION
SCALE: 1/8" = 1'-0"



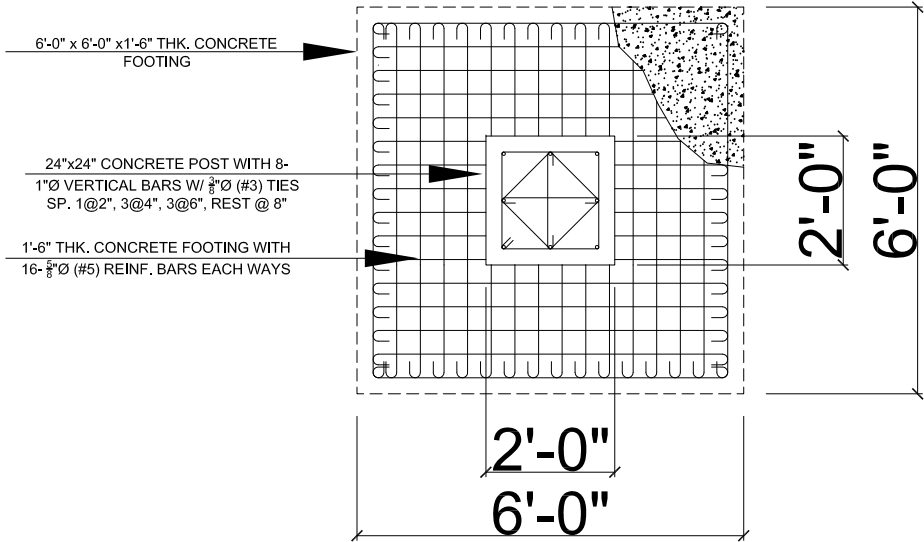
UNITED STATES AGENCY FOR
INTERNATIONAL DEVELOPMENT

INTERNATIONAL ORGANIZATION
FOR MIGRATION



APPROVALS:	NAME:	SIGNATURE	DATE:	AMMENDMENTS:	DRAWING TITLE:
DRAWN BY:	JOENIE L. MUJARES			DATE:	NOTE:
DESIGNED BY:	RBF/JLM				
RECOM. FOR APPROVAL:	RIZALDY B. FAJARDO				
APPROVED BY: CHIEF OF PARTY	GLANCY NATHAN MICHAEL				
					PROPOSED Y1023 Falalop Community Center-Covered Basketball Court
					SHEET CONTENTS:
					SHEET NO:
					A 3 4

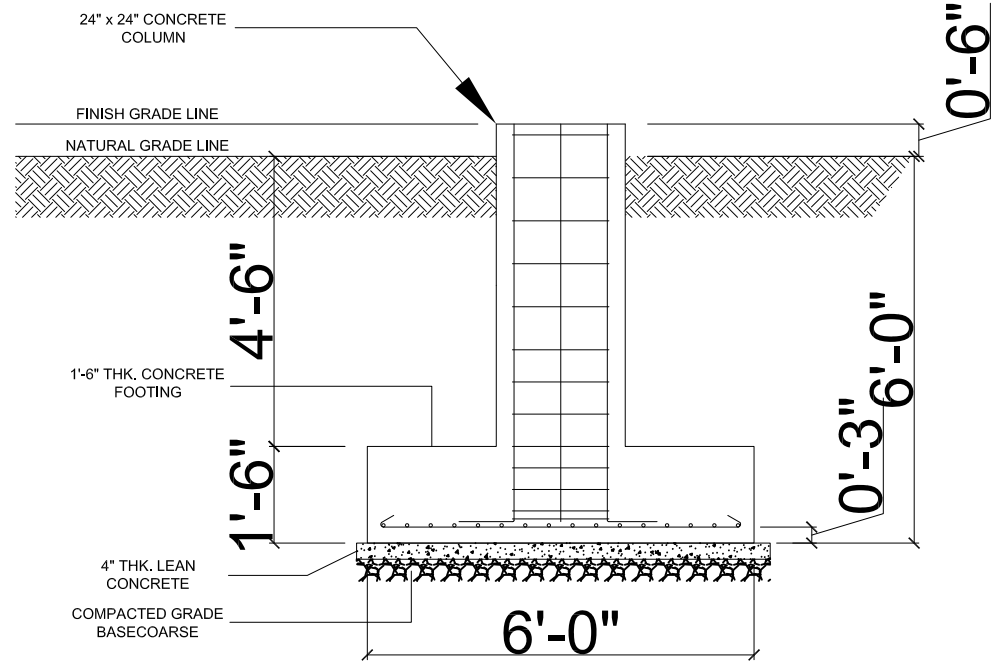
4-1"Ø TOP BARS W/ 3/8"Ø (#3) TIES SP.
1@2", 3@4", 3@6", REST @ 8"



C1F1 FOOTING DETAIL

SCALE

NTS



FOOTING SECTION

SCALE

NTS



UNITED STATES AGENCY FOR INTERNATIONAL DEVELOPMENT

INTERNATIONAL ORGANIZATION FOR MIGRATION



APPROVALS:
DRAWN BY:
DESIGNED BY:
RECOM. FOR APPROVAL:
APPROVED BY:
CHIEF OF PARTY

NAME:
JOENIE L. MUJARES
RBF/JLM
RIZALDY B. FAJARDO
GLANCY NATHAN MICHAEL

SIGNATURE

DATE:

AMMENDMENTS:

DATE:

NOTE:

DRAWING TITLE:

PROPOSED Y1023 Falalop Community Center-Covered Basketball Court

SHEET CONTENTS:

SHEET NO: