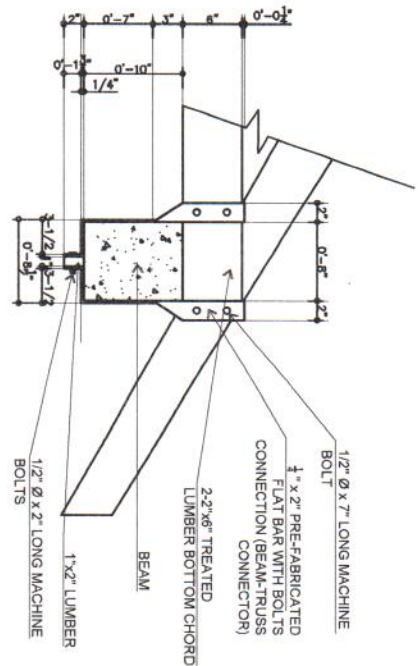




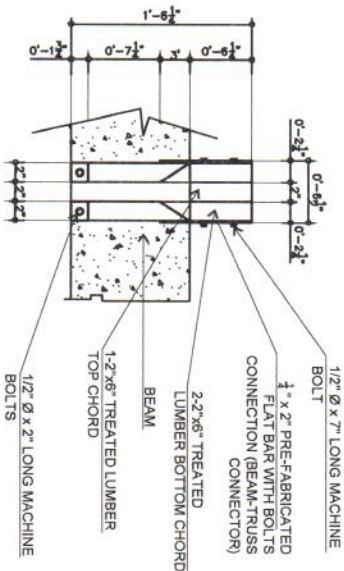
UNITED STATES AGENCY  
INTERNATIONAL DEVELOPMENT  
INTERNATIONAL ORGANIZATION  
FOR MIGRATION



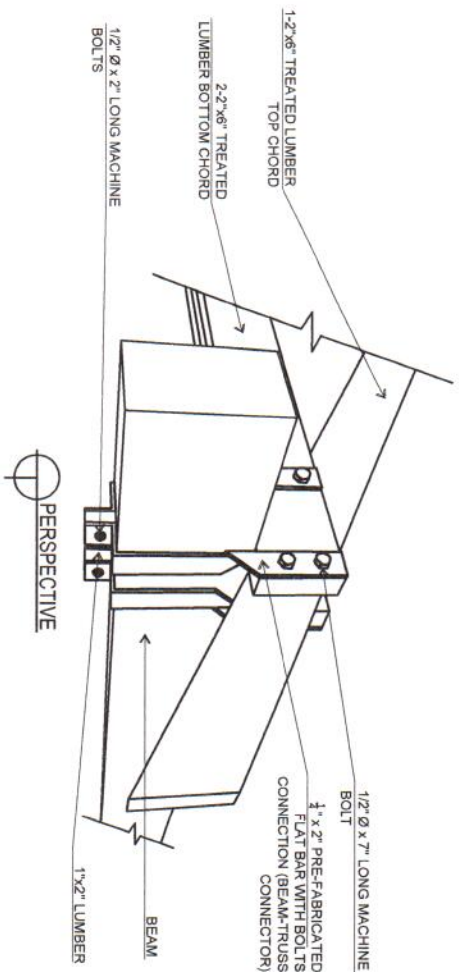
APPROVALS:	NAME:	SIGNATURE	DATE:	AMMENDMENTS:	DRAWING TITLE:
DESIGNED BY:	HDD		8/12/2016		COMMON MATERIALS DETAILS FOR P.L REPAIR
DRAWN BY:	HDD				SHEET CONTENT: AS SHOWN
RECOM. FOR APPROVAL	ANAGTO LUGENA				SHEET NO
APPROVED BY CHIEF OF PARTY:	MARK ADAMS				2
	PROJ. MANAGER				2



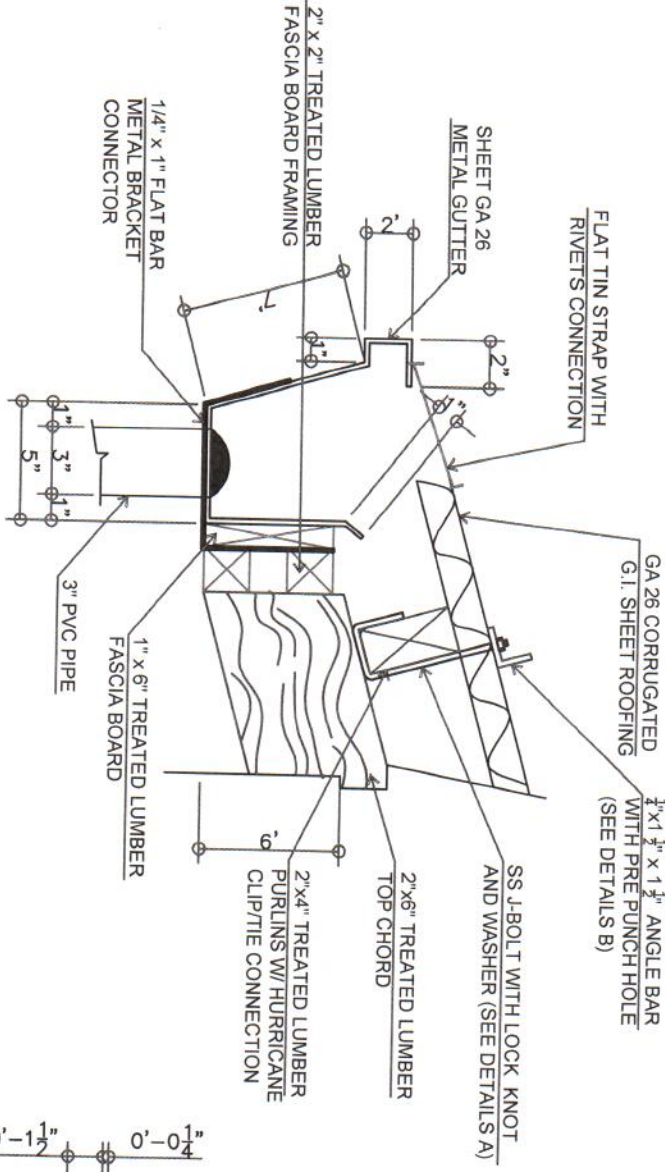
FRONT VIEW  
TRUSS-BEAM CONNECTION DETAILS (10' x 8' BEAM)



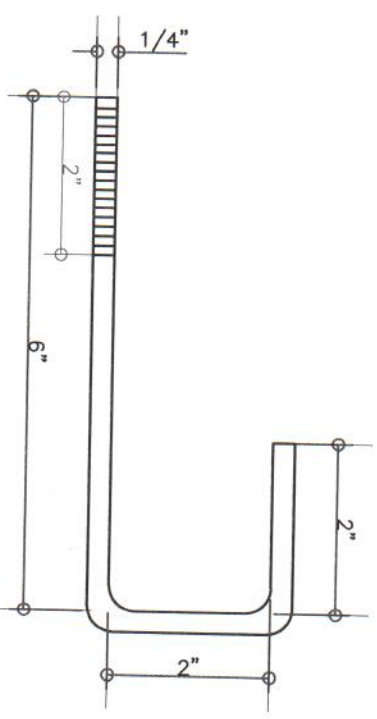
RIGHT SIDE VIEW  
TRUSS-BEAM CONNECTION DETAILS (10' x 8' BEAM)



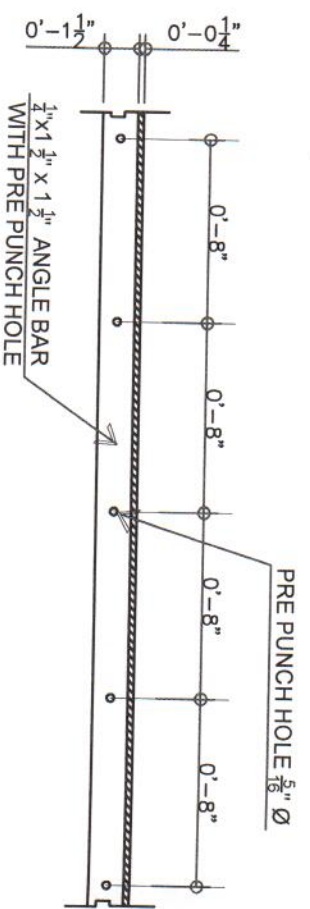
PERSPECTIVE



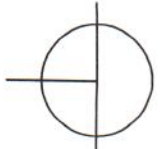
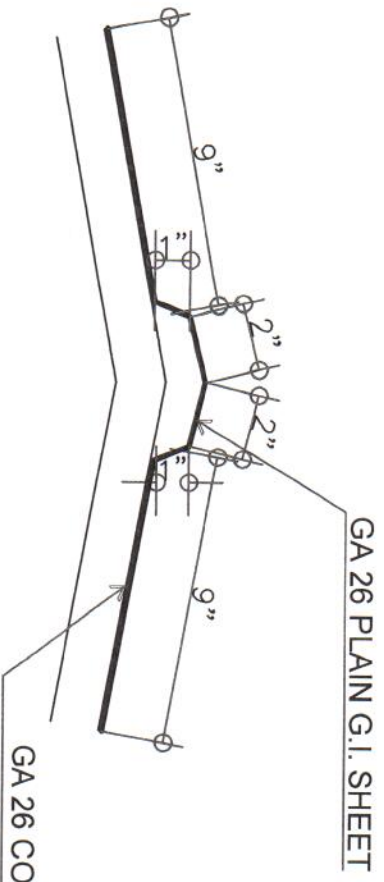
PRE-FABRICATED METAL GUTTER & METAL BRACKET CONNECTOR DETAILS



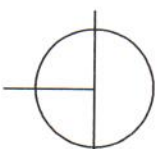
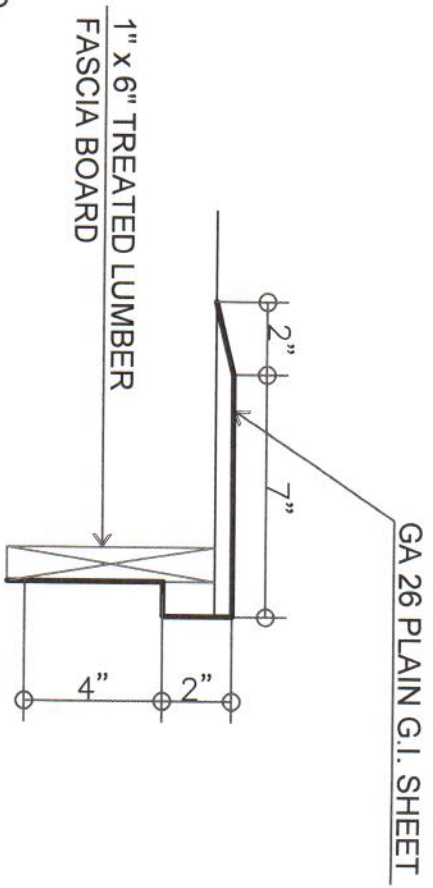
A SQUARE BEND J-BOLT DETAILS



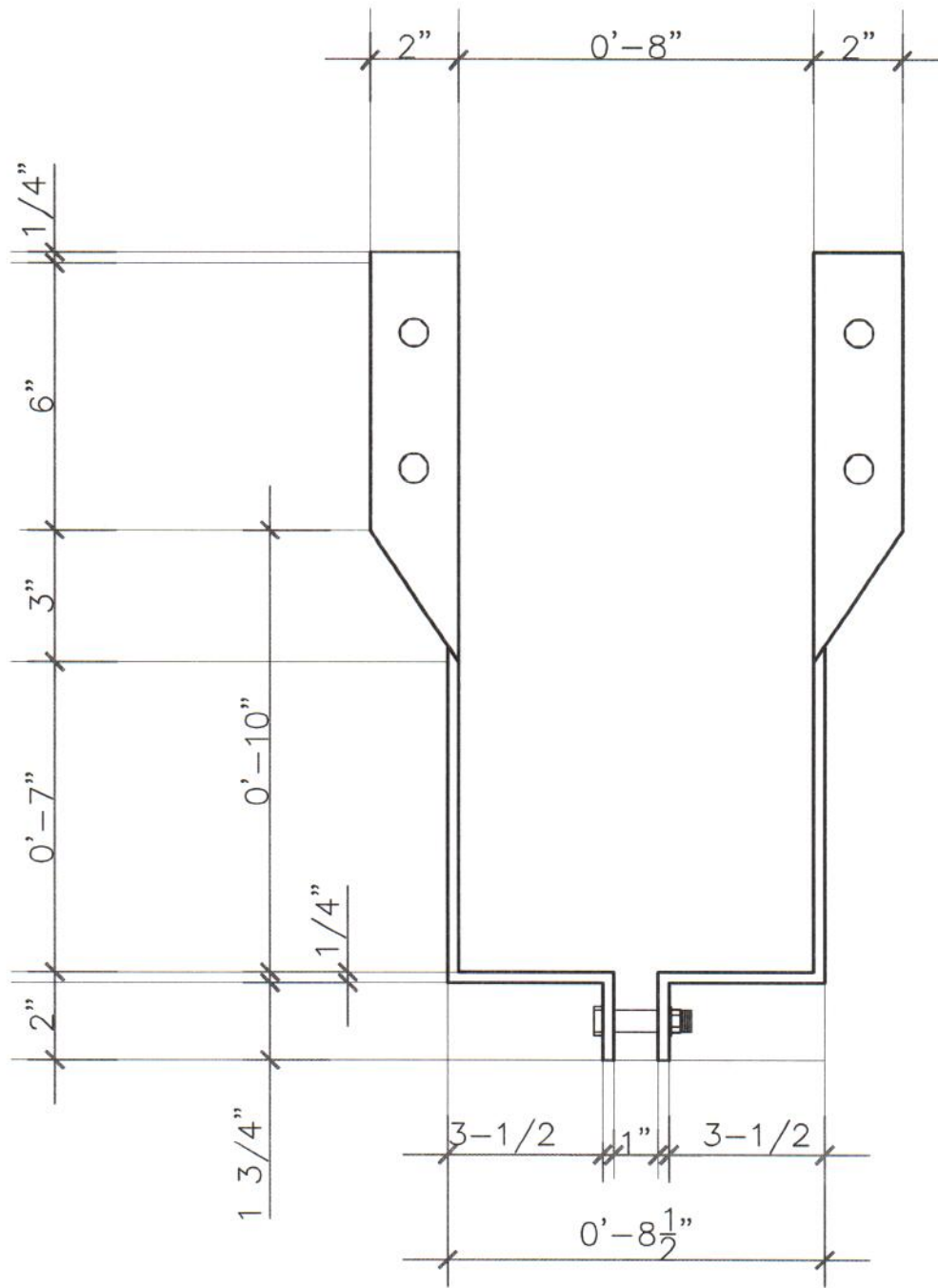
B ANGLE BAR W/ PRE PUNCH HOLE DETAILS



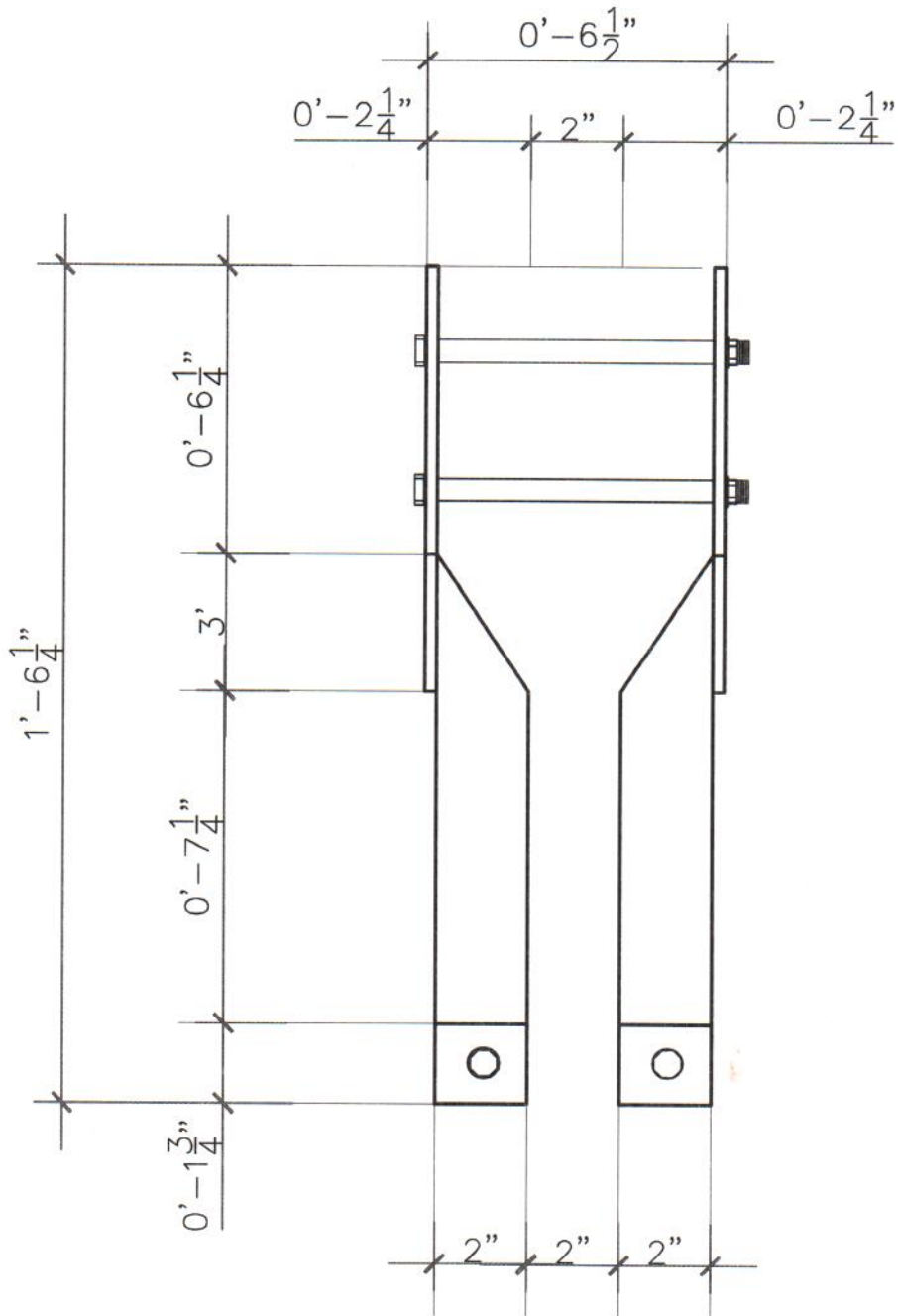
**PRE-FABRICATED RIDGE ROLL**  
**DETAILS**



**PRE-FABRICATED FLASHING**  
**DETAILS**

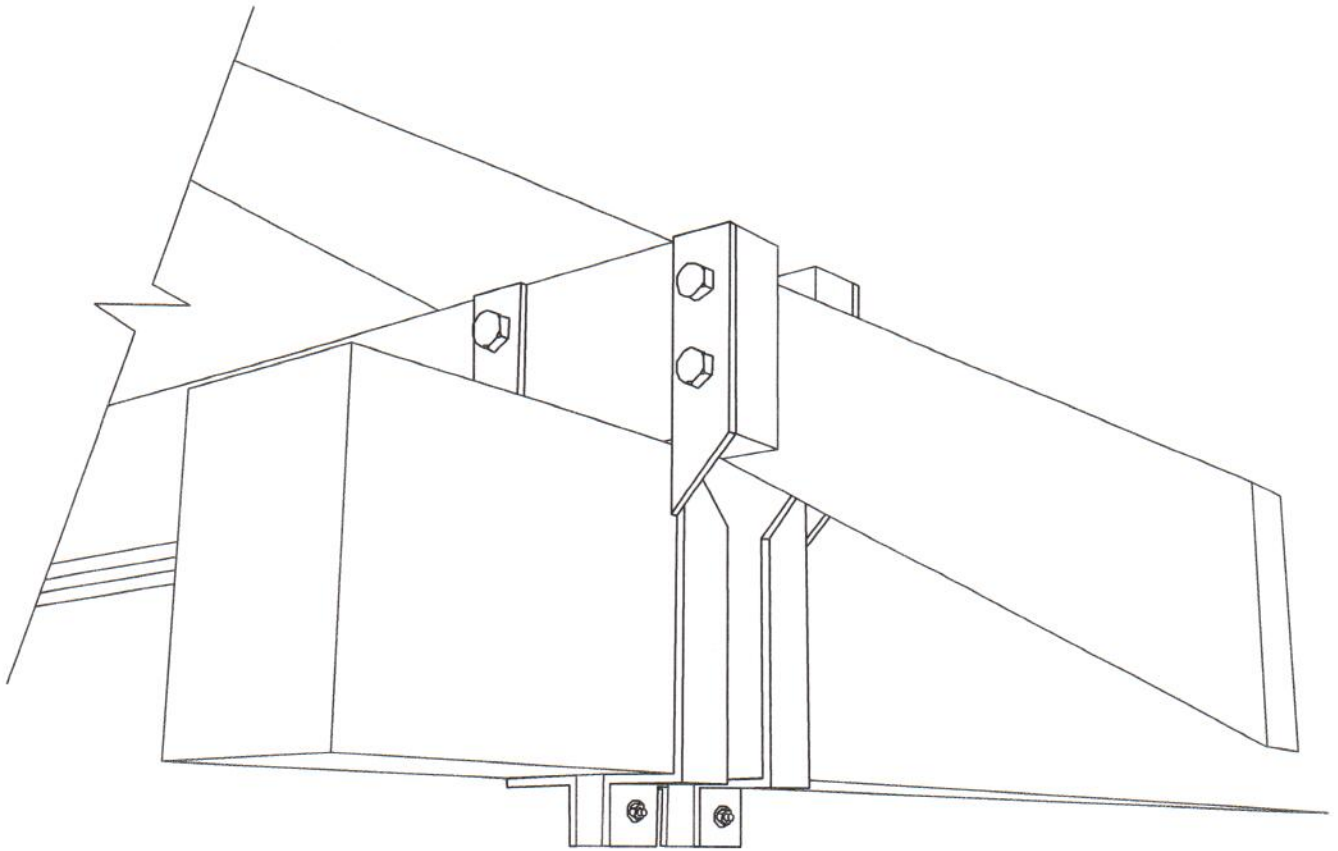


**TRUSS-BEAM CONNECTION DETAILS (10" x 8" BEAM)**  
 FRONT VIEW



# TRUSS-BEAM CONNECTION DETAILS (10" x 8" BEAM)

RIGHT SIDE VIEW



PERSPECTIVE





PERSPECTIVE