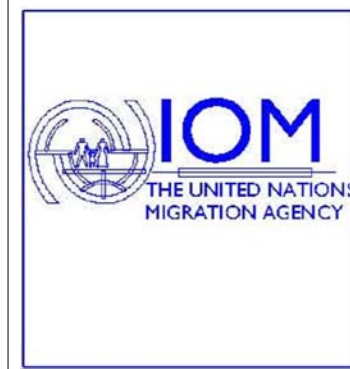


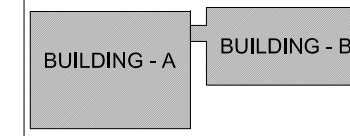
**BASRA CPO/RGC NEW CONSTRUCTION PROJECT IN
SHATT AL-ARAB DISTRICT**



seq	DRAWING NO.	DRAWING NAME
1	IOMCPIQGOV-G-01	COVER SHEET
2	IOMCPIQGOV-G-02	TITLE SHEETS
GENERAL DRAWINGS		
3	IOMCPIQGOV-ARAB01	SITE PLAN- TOP VIEW
4	IOMCPIQGOV-ARAB02	DETAILED SITE PLAN AT GROUND FLOOR LEVEL
5	IOMCPIQGOV-ARAB03	SECTIONAL DETAILS IN FENCE
BUILDING - A -		
ARCHITECTURAL DRAWINGS		
8	IOMCPIQGOV-ARA02	ARCHITECTURAL BASIC DESIGN- GROUND FLOOR PLAN
9	IOMCPIQGOV-ARA03	DETAILED GROUND FLOOR PLAN
10	IOMCPIQGOV-ARA04	SECTIONS
11	IOMCPIQGOV-ARA05	FRONT & BACK ELEVATIONS
12	IOMCPIQGOV-ARA06	RIGHT & LEFT ELEVATIONS
13	IOMCPIQGOV-ARA07	ROOF PLAN
14	IOMCPIQGOV-ARA08	DOORS & WINDOWS SCHEDULE
15	IOMCPIQGOV-ARA09	FINISHES SCHEDULE
STRUCTURAL DRAWINGS		
16	IOMCPIQGOV-STA01	FOUNDATION DETAILED REINFORCEMENT
17	IOMCPIQGOV-STA02	STRUCTURAL ROOF REINFORCEMENT
18	IOMCPIQGOV-STA03	STRUCTURAL DETAILS REINFORCEMENT
19	IOMCPIQGOV-STA04	SEPTIC TANK REINFORCEMENT- SECTION X-X
20	IOMCPIQGOV-STA05	SEPTIC TANK REINFORCEMENT- SECTION Y-Y
ELECTRICAL DRAWINGS		
21	IOMCPIQGOV-ELA01	ELECTRICAL EQUIPMENT & FITTINGS
22	IOMCPIQGOV-MEA01	AC SPLIT UNITS LAYOUT
SANITARY DRAWINGS		
23	IOMCPIQGOV-SAA01	SEWAGE NETWORK & SEPTIC TANK
24	IOMCPIQGOV-SAA02	WATER TANKS
25	IOMCPIQGOV-SAA03	SANITARY FITTINGS LAYOUT



IOM IRAQ
CP PROGRAM



KEY PLAN

GENERAL NOTE:
THIS DRAWING IS THE COPYRIGHT OF IOM CP PROGRAM - IRAQ, & IT IS NOT ALLOWED TO COPY OR REPRODUCE ITS CONNECTION ANY FORM EXCEPT FOR THE PURPOSE WHICH IT IS INTENDED WITHOUT THE ABOVE CONSULTANTS AUTHORITY NOT SCALE THIS DRAWING ONLY STATED DIVISIONS ARE TO BE CONSIDERED.

NO.	DATE	DESCRIPTION

PROJECT TITLE
NEW COMMUNITY POLICING BUILDING
BASRA CPO/RGC BUILDING

DRAWING TITLE
TITLE SHEET 01

PROJECT ARCHITECT
RAAD HAMMODAT

DRAWING NO.
IOMCPIQGOV-G-02-A



IOM IRAQ
CP PROGRAM

GENERAL DRAWINGS

GENERAL NOTE:

THIS DRAWING IS THE COPYRIGHT OF IOM CP PROGRAM - IRAQ, & IT IS NOT ALLOWED TO COPY OR REPRODUCE ITS CONNECTION ANY FORM EXCEPT FOR THE PURPOSE WHICH IT IS INTENDED WITHOUT THE ABOVE CONSULTANTS AUTHORITY NOT SCALE THIS DRAWING ONLY STATED DIVISIONS ARE TO BE CONSIDERED.

NO.	DATE	DESCRIPTION

PROJECT TITLE

NEW COMMUNITY POLICING BUILDING
BASRA CPO/RGC BUILDING

DRAWING TITLE

PROJECT ARCHITECT
RAAD HAMMODAT

DRAWING NO.

الشرطة المجتمعية في قضاء شط العرب
COMMUNITY POLICE IN SHATT AL-ARAB DISTRICT



الشرطة المجتمعية في قضاء شط العرب
COMMUNITY POLICE IN SHATT AL-ARAB DISTRICT





الشرطة المجتمعية في قضاء شط العرب
COMMUNITY POLICE IN SHATT AL-ARAB DISTRICT

مركز الارشاد المجتمعي في قضاء شط العرب
REFERRAL GUIDANCE CENTER IN SHATT AL-ARAB DISTRICT

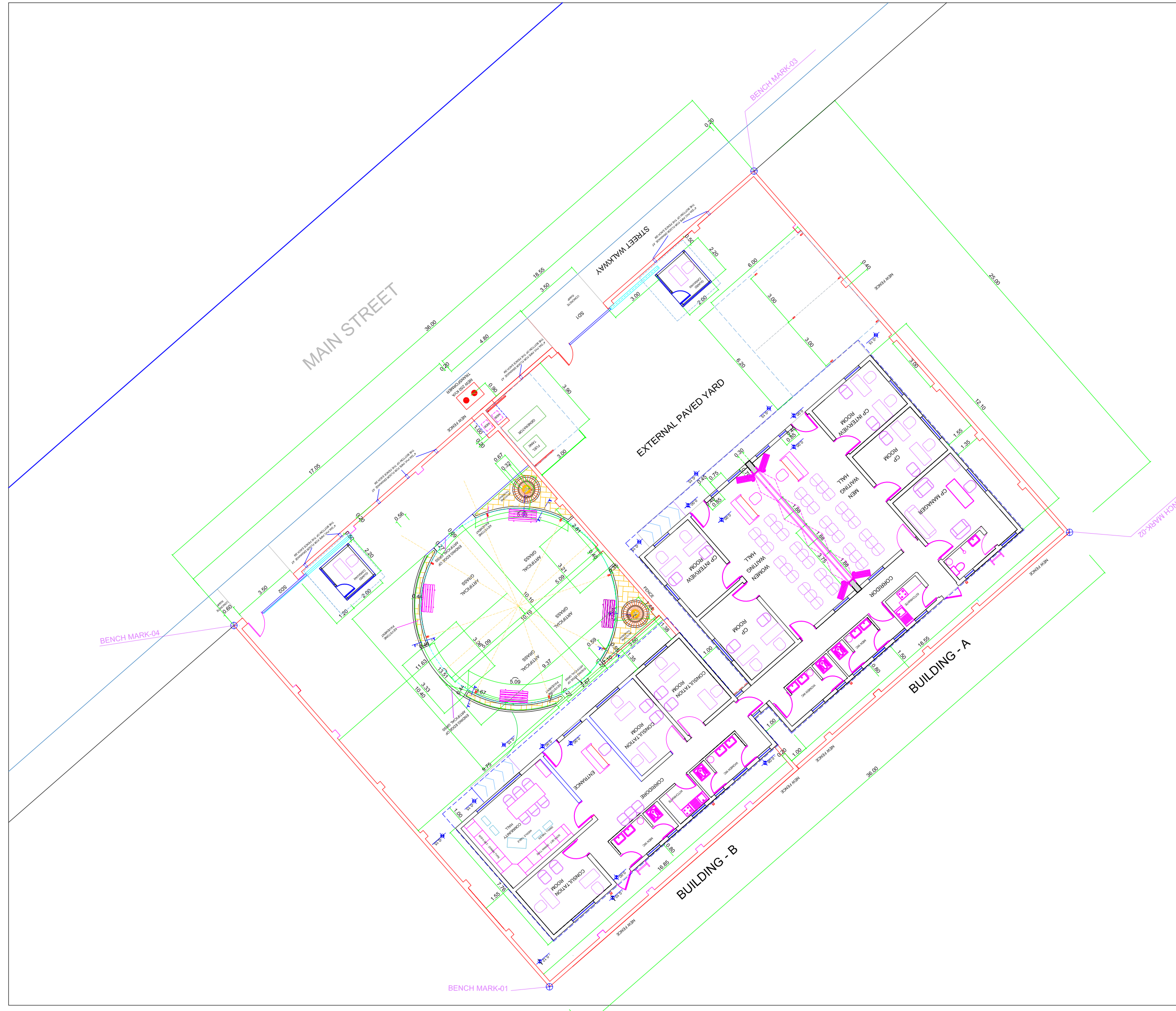




مركز الارشاد المجتمعي في قضاء شط العرب
REFERRAL GUIDANCE CENTER IN SHATT AL-ARAB DISTRICT

IOM IRAQ

MMU



GENERAL NOTE:
 THIS DRAWING IS THE COPYRIGHT OF IOM CP PROGRAM - IRAQ, & IT IS NOT ALLOWED TO COPY OR REPRODUCE ITS CONNECTION ANY FORM EXCEPT FOR THE PURPOSE WHICH IT IS INTENDED WITHOUT THE ABOVE CONSULTANTS AUTHORITY NOT SCALE THIS DRAWING ONLY STATED DIVISIONS ARE TO BE CONSIDERED.

NO.	DATE	DESCRIPTION

PROJECT TITLE
 NEW COMMUNITY POLICING BUILDING
 HAWIJA CPO BUILDING - KIRKUK GOV.

DRAWING TITLE
COVER SHEET

PROJECT ARCHITECT
 RAAD HAMMODAT
 DESIGNED BY
 RAAD HAMMODAT

DRAWING NO.
 IOMCPIQGOV-G-01



IOM IRAQ
CP PROGRAM

BUILDING - A

ARCHITECTURAL DRAWINGS

BUILDING - A

KEY PLAN

GENERAL NOTE:

THIS DRAWING IS THE COPYRIGHT OF IOM CP PROGRAM - IRAQ, & IT IS NOT ALLOWED TO COPY OR REPRODUCE ITS CONNECTION ANY FORM EXCEPT FOR THE PURPOSE WHICH IT IS INTENDED WITHOUT THE ABOVE CONSULTANTS AUTHORITY NOT SCALE THIS DRAWING ONLY STATED DIVISIONS ARE TO BE CONSIDERED.

NO.	DATE	DESCRIPTION

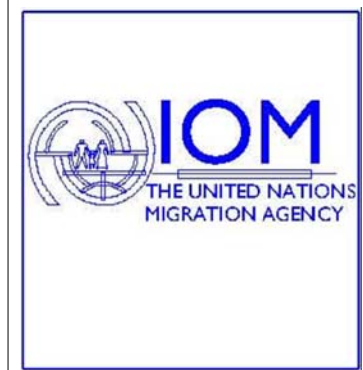
PROJECT TITLE

NEW COMMUNITY POLICING BUILDING
BASRA CPO/RGC BUILDING

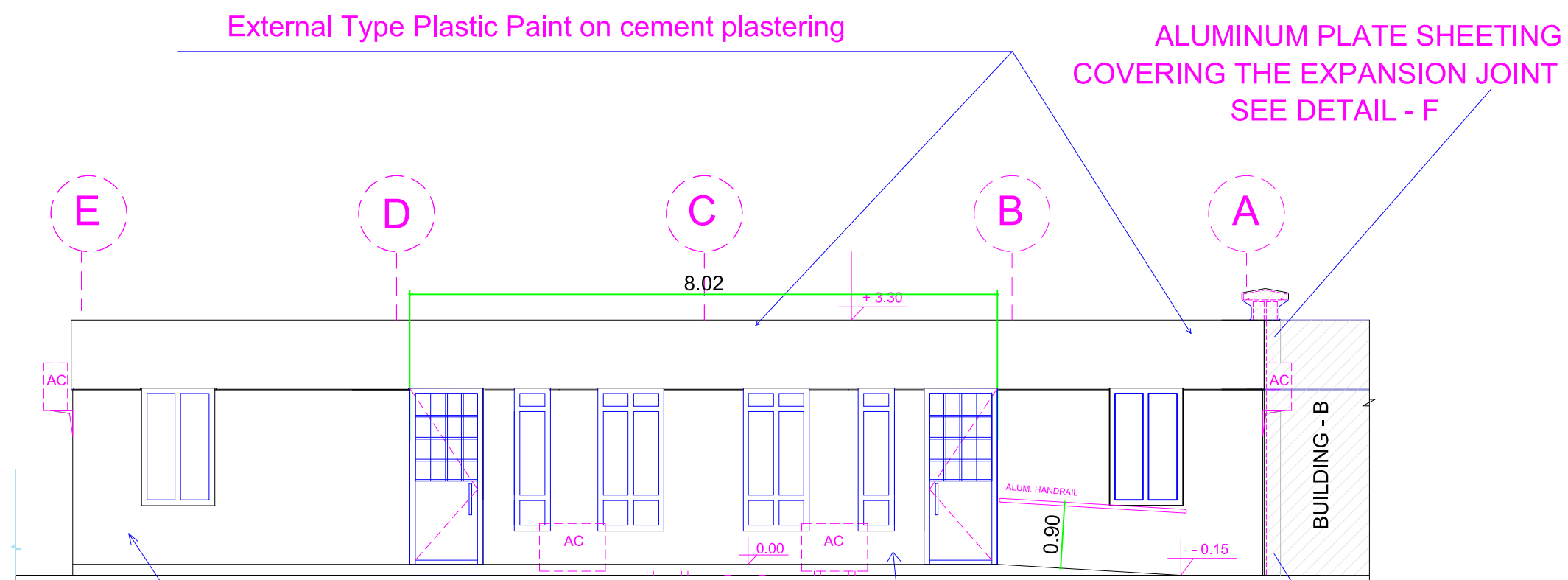
DRAWING TITLE

PROJECT ARCHITECT
RAAD HAMMODAT

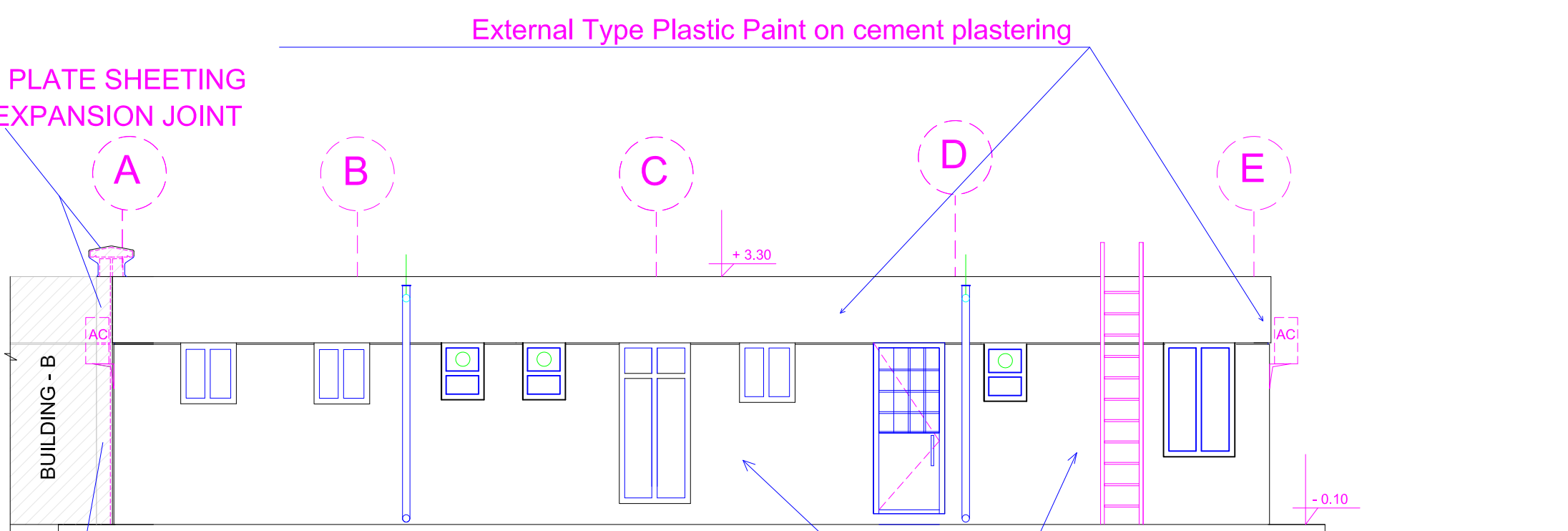
DRAWING NO.



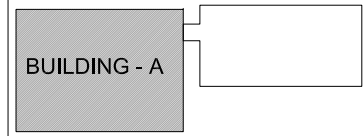
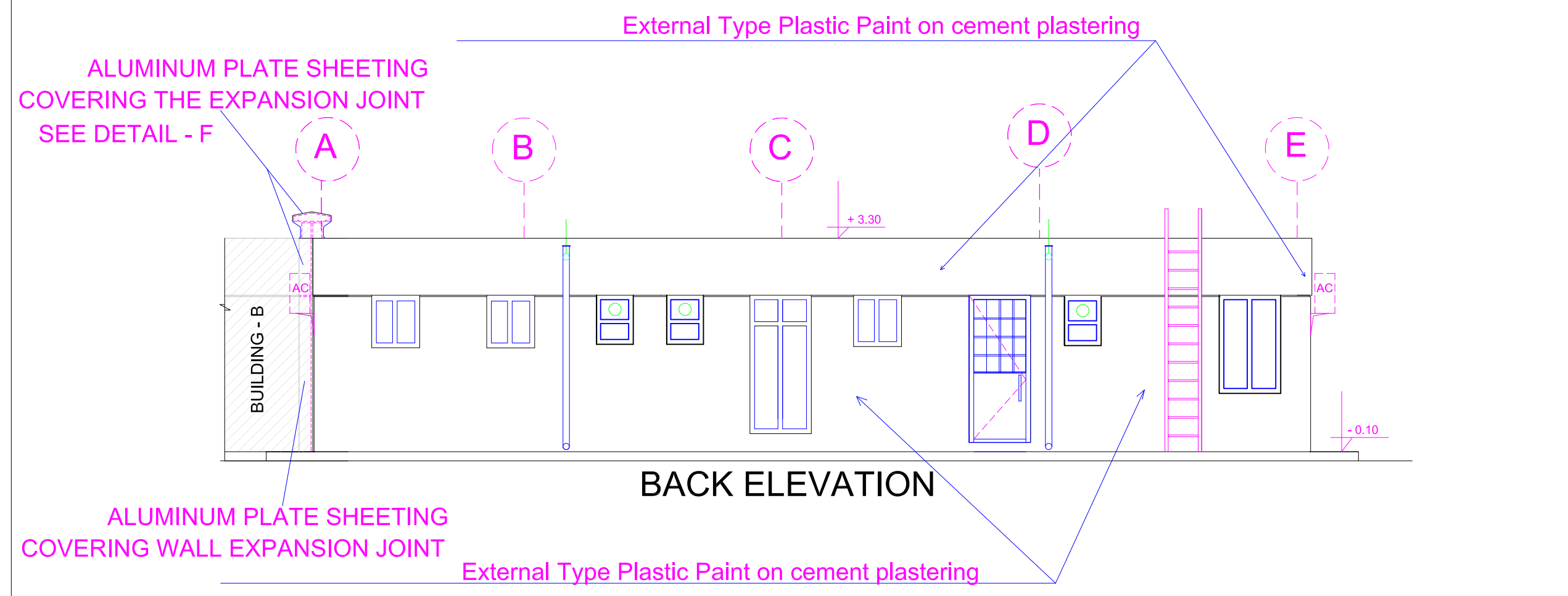
IOM IRAQ
CP PROGRAM



FRONT ELEVATION



BACK ELEVATION



KEY PLAN

GENERAL NOTE:
THIS DRAWING IS THE COPYRIGHT OF IOM CP PROGRAM - IRAQ, & IT IS NOT ALLOWED TO COPY OR REPRODUCE ITS CONNECTION ANY FORM EXCEPT FOR THE PURPOSE WHICH IT IS INTENDED WITHOUT THE ABOVE CONSULTANTS AUTHORITY NOT SCALE THIS DRAWING ONLY STATED DIVISIONS ARE TO BE CONSIDERED.

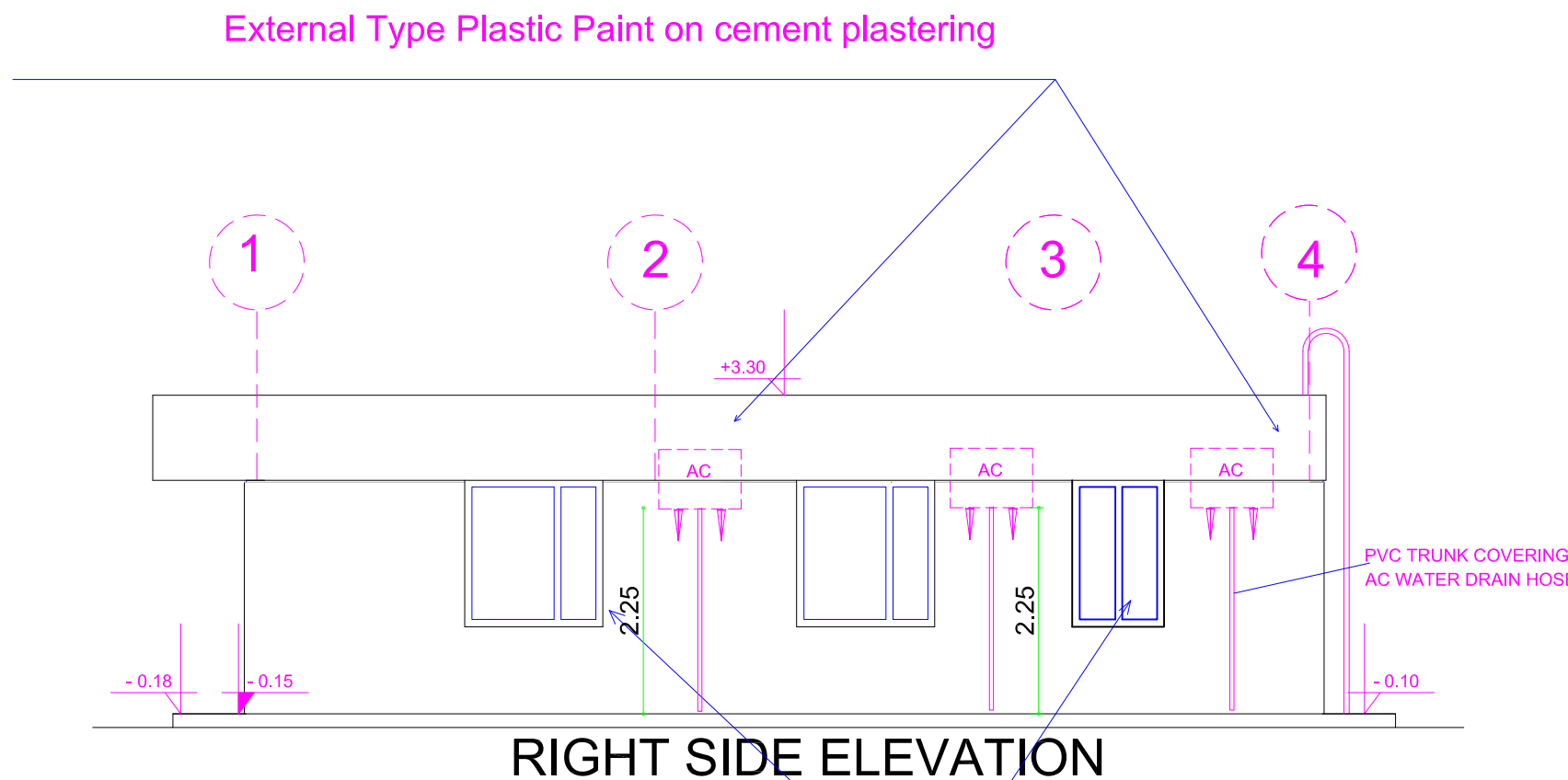
NO.	DATE	DESCRIPTION

PROJECT TITLE
NEW COMMUNITY POLICING BUILDING
BASRA CPO/RGC BUILDING

DRAWING TITLE
FRONT & BACK ELEVATIONS
BUILDING - A

PROJECT ARCHITECT
RAAD HAMMODAT

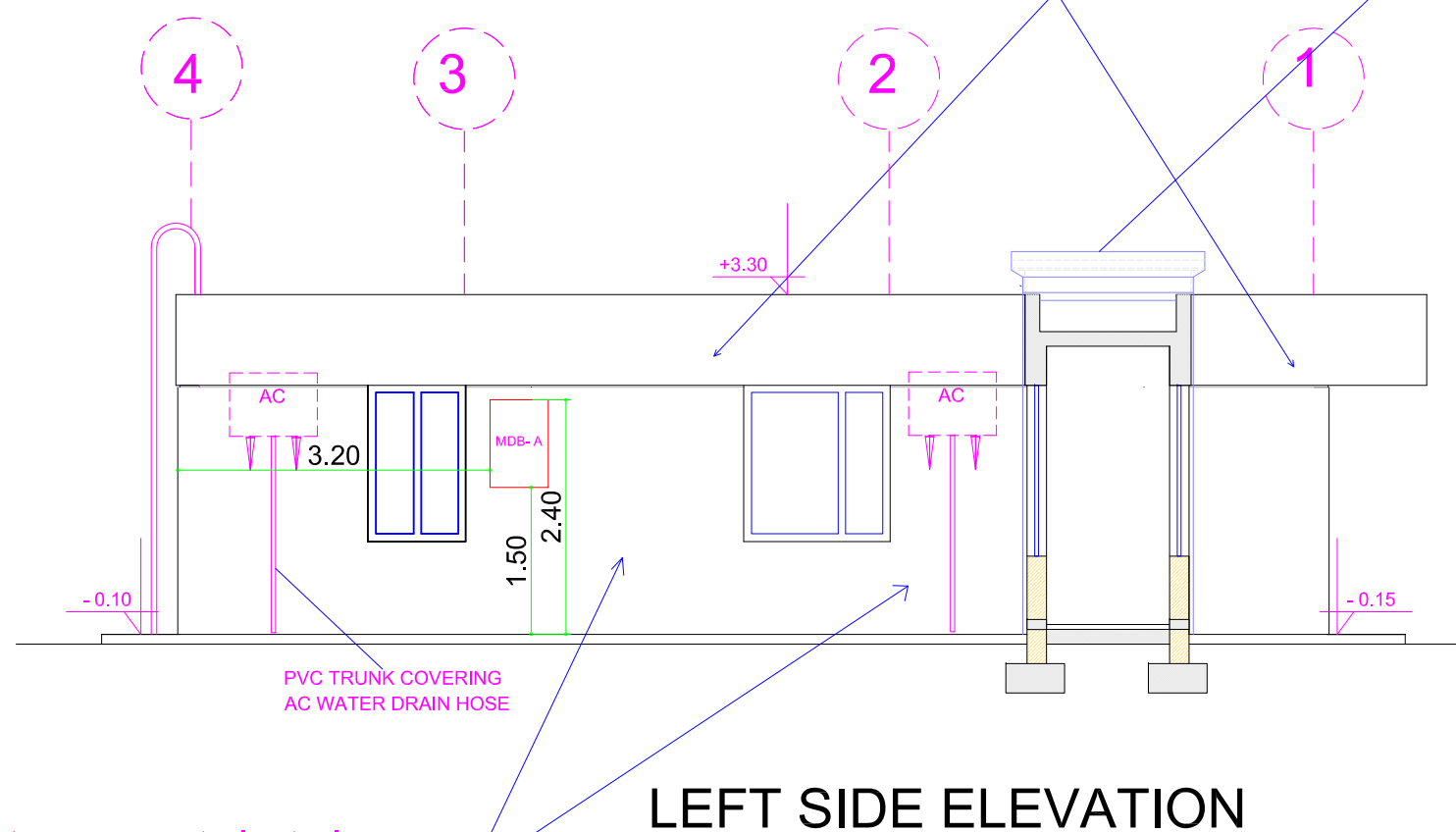
DRAWING NO.
IOMCPIQGOV-AR-05



External Type Plastic Paint on cement plastering

External Type Plastic Paint on cement plastering

ALUMINUM PLATE SHEETING COVERING THE EXPANSION JOINT SEE DETAIL - F



External Type Plastic Paint on cement plastering

BUILDING - A

KEY PLAN

GENERAL NOTE:

THIS DRAWING IS THE COPYRIGHT OF IOM CP PROGRAM - IRAQ, & IT IS NOT ALLOWED TO COPY OR REPRODUCE ITS CONNECTION ANY FORM EXCEPT FOR THE PURPOSE WHICH IT IS INTENDED WITHOUT THE ABOVE CONSULTANTS AUTHORITY NOT SCALE THIS DRAWING ONLY STATED DIVISIONS ARE TO BE CONSIDERED.

NO.	DATE	DESCRIPTION

PROJECT TITLE

NEW COMMUNITY POLICING BUILDING
BASRA CPO/RGC BUILDING

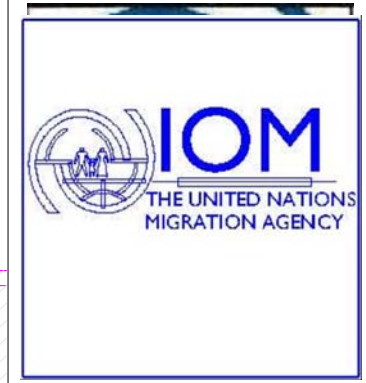
DRAWING TITLE

RIGHT & LEFT ELEVATIONS
BUILDING - A

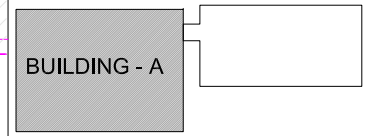
PROJECT ARCHITECT
RAAD HAMMODAT

DRAWING NO.

IOMCPIQGOV-AR-06



IOM IRAQ
CP PROGRAM



KEY PLAN

GENERAL NOTE:
THIS DRAWING IS THE COPYRIGHT OF IOM CP PROGRAM - IRAQ, & IT IS NOT ALLOWED TO COPY OR REPRODUCE ITS CONNECTION ANY FORM EXCEPT FOR THE PURPOSE WHICH IT IS INTENDED WITHOUT THE ABOVE CONSULTANTS AUTHORITY NOT SCALE THIS DRAWING ONLY STATED DIVISIONS ARE TO BE CONSIDERED.

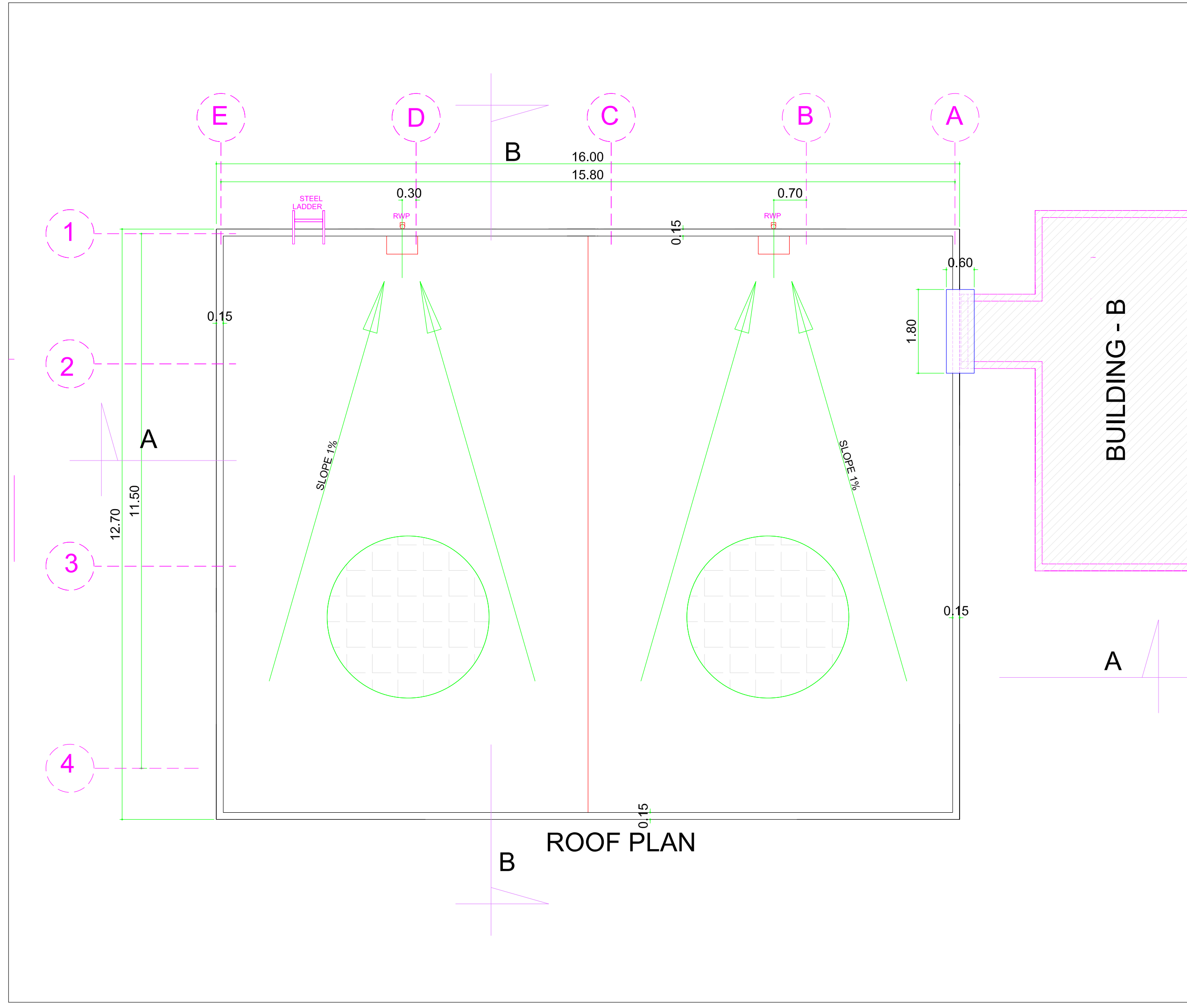
NO.	DATE	DESCRIPTION

PROJECT TITLE
NEW COMMUNITY POLICING BUILDING
BASRA CPO/RGC BUILDING

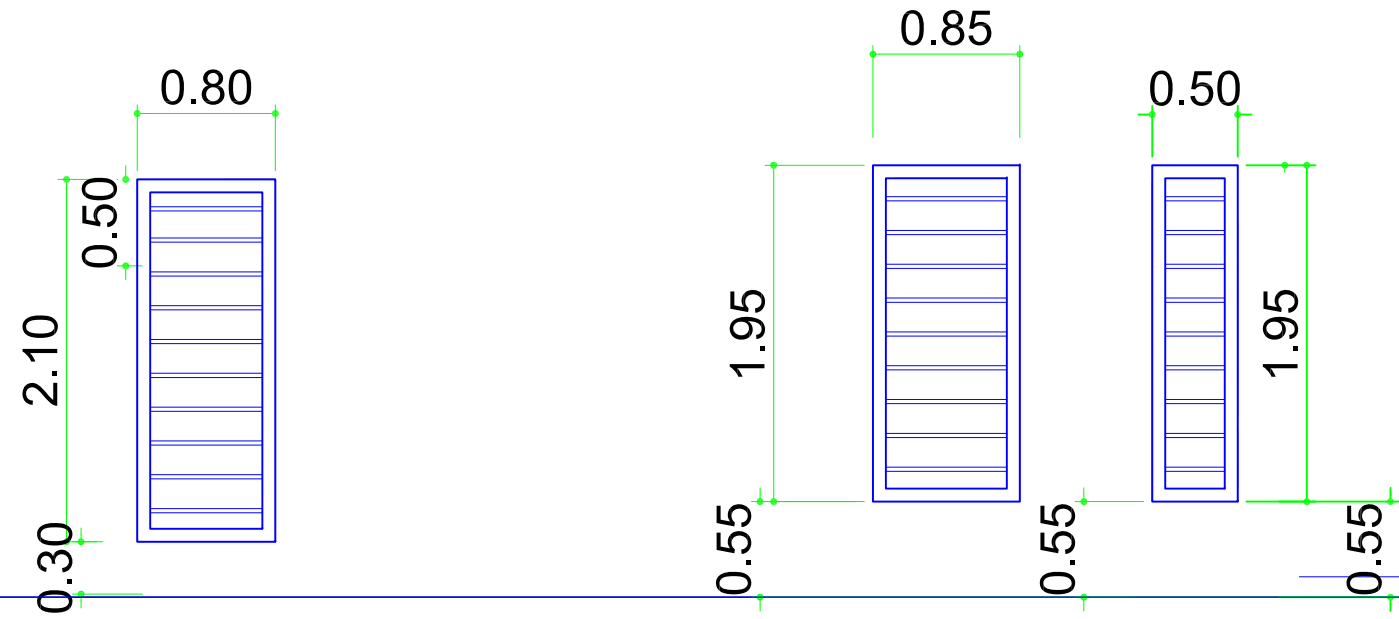
DRAWING TITLE
ROOF PLAN
BUILDING - A

PROJECT ARCHITECT
RAAD HAMMODAT

DRAWING NO.
IOMCPIQGOV-AR-07



ROOF PLAN



SW3
QTY. 1

SW7
QTY. 2

SW8
QTY. 2

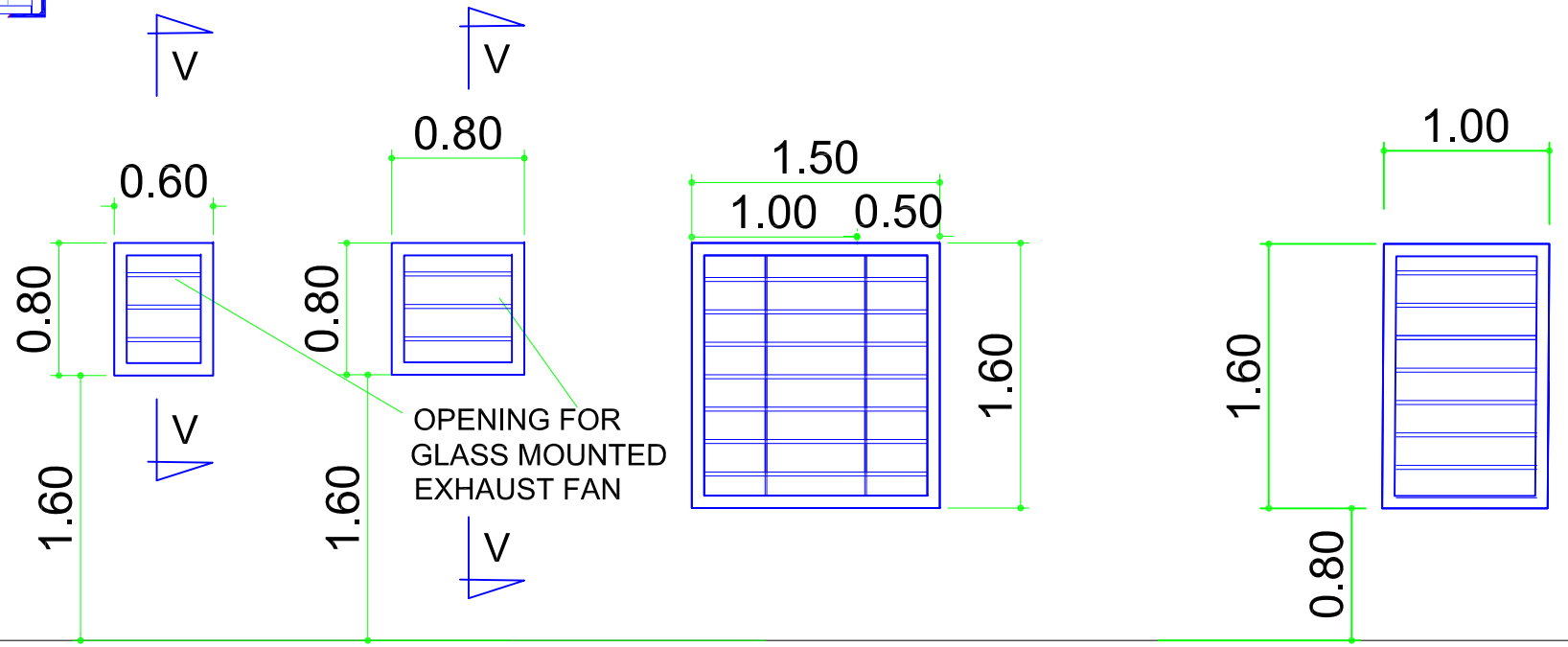
EX. FANS

10cm VOID

PROTECTION
SCREEN

GENERAL SPECIF. FOR (WINDOW PROTECTION STEEL GRIDS):
 MAT FOR FRAME.: 3"x3" STEEL ANGLES
 MAT FOR SCREEN.: 25mm DIA. ROUNDED SMOOTH SECTION STEEL BARS EACH 20cm
 COLOR OF FRAME & BARS: WHITE

ENLARGED
SEC. V-V

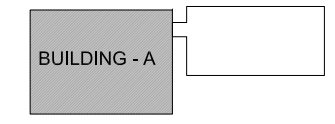


SW5
QTY. 3

SW4
QTY. 3

SW10
QTY. 3

SW1
QTY. 5



KEY PLAN

GENERAL NOTE:
 THIS DRAWING IS THE COPYRIGHT OF IOM CP PROGRAM - IRAQ, & IT IS NOT ALLOWED TO COPY OR REPRODUCE IT'S CONNECTION ANY FORM EXCEPT FOR THE PURPOSE WHICH IT IS INTENDED WITHOUT THE ABOVE CONSULTANTS AUTHORITY NOT SCALE THIS DRAWING ONLY STATED DIVISIONS ARE TO BE CONSIDERED.

NO.	DATE	DESCRIPTION

PROJECT TITLE
 NEW COMMUNITY POLICING BUILDING
 BASRA CPO/RC BUILDING

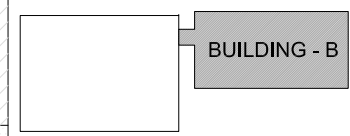
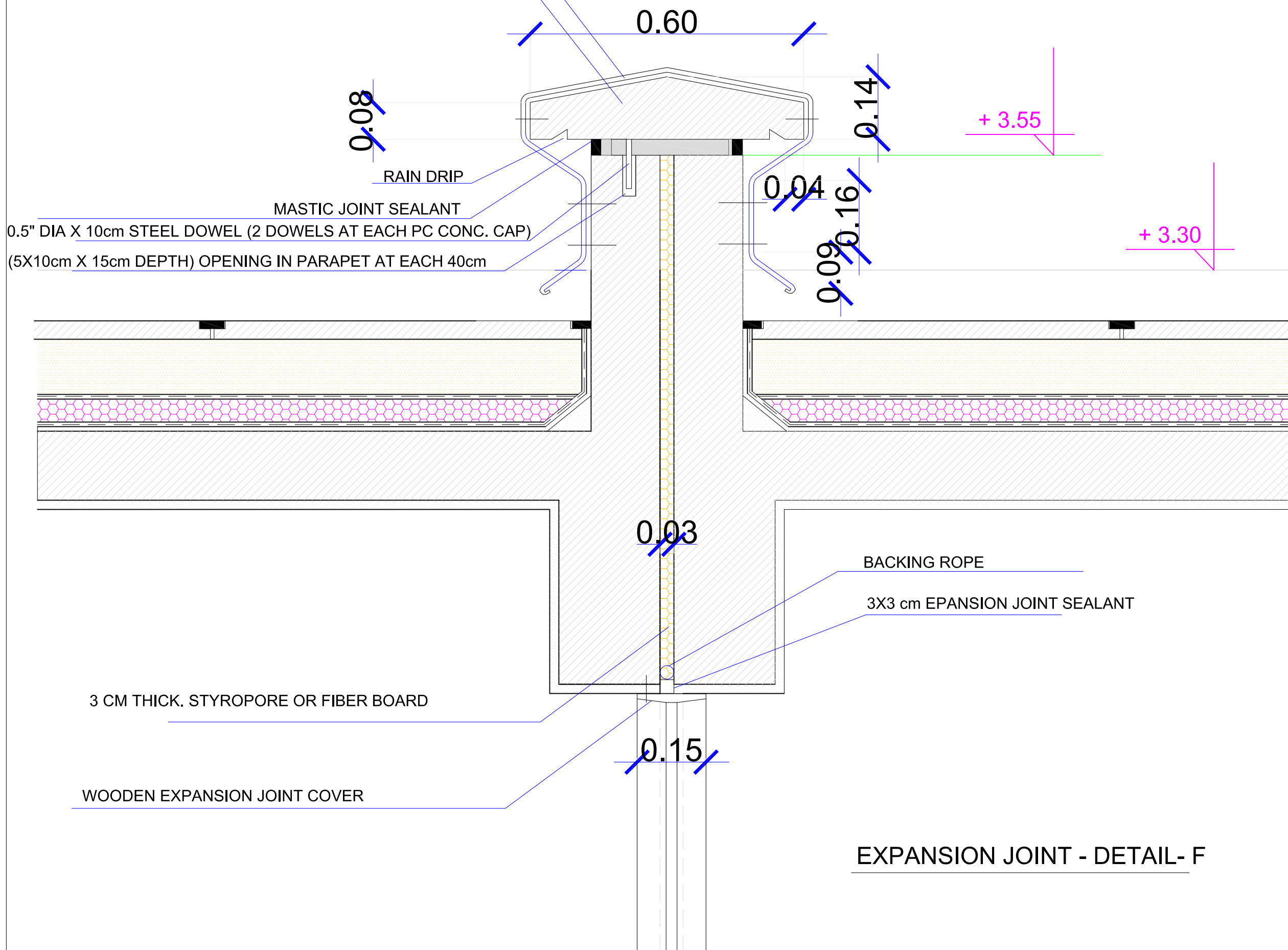
DRAWING TITLE
 STEEL PROTECTION GRIDS SCHEDULE

PROJECT ARCHITECT
 RAAD HAMMODAT

DRAWING NO.
 IOMCPIQGOV-AR-08A

0.5mm THICK. ALUMINUM PLATE FLASHING COVERING (ALL JOINTS BETWEEN THE SHEETS SHOULD BE SEALED BY SILICON)

60X180cm PRE CAST CONCRETE CAP



KEY PLAN

GENERAL NOTE:
 THIS DRAWING IS THE COPYRIGHT OF IOM CP PROGRAM - IRAQ, & IT IS NOT ALLOWED TO COPY OR REPRODUCE ITS CONNECTION ANY FORM EXCEPT FOR THE PURPOSE WHICH IT IS INTENDED WITHOUT THE ABOVE CONSULTANTS AUTHORITY NOT SCALE THIS DRAWING ONLY STATED DIVISIONS ARE TO BE CONSIDERED.

NO.	DATE	DESCRIPTION

PROJECT TITLE
 NEW COMMUNITY POLICING BUILDING
 BASRA CPO/RGC BUILDING

DRAWING TITLE
 EXPANSION JOINT DETAIL F

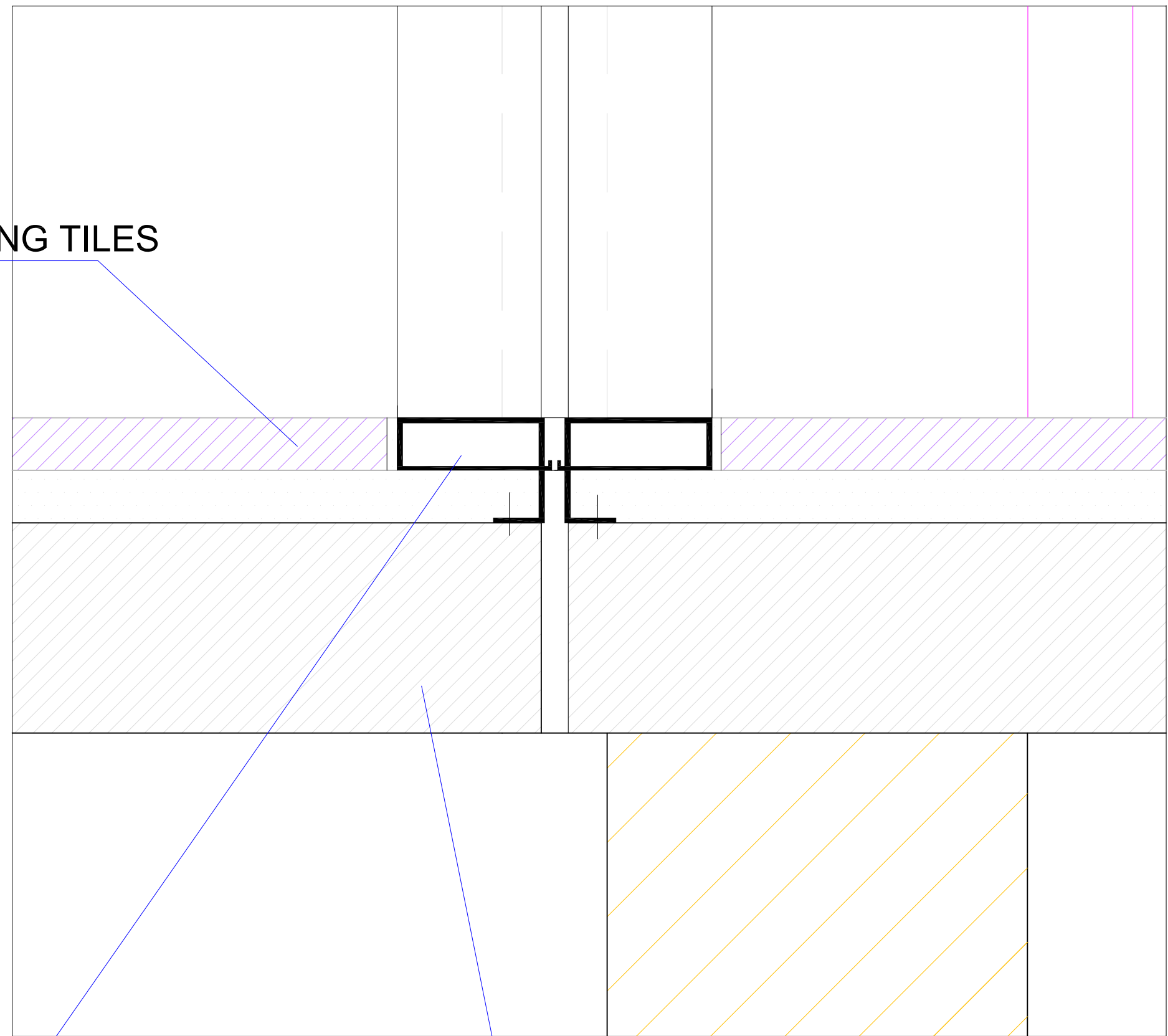
PROJECT ARCHITECT
 RAAD HAMMODAT

DRAWING NO.
 IOMCPIQGOV-ARB09

EXPANSION JOINT - DETAIL- F

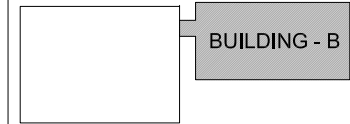


MOSAIC FLOORING TILES



CONCRETE FLOOR SLAB

ALUMINUM EXPANSION JOINT FLOOR COVER
EQUIVALENT JOINT COVER CAN BE ACCEPTED



KEY PLAN

GENERAL NOTE:
THIS DRAWING IS THE COPYRIGHT OF IOM CP PROGRAM - IRAQ, & IT IS NOT ALLOWED TO COPY OR REPRODUCE ITS CONNECTION ANY FORM EXCEPT FOR THE PURPOSE WHICH IT IS INTENDED WITHOUT THE ABOVE CONSULTANTS AUTHORITY NOT SCALE THIS DRAWING ONLY STATED DIVISIONS ARE TO BE CONSIDERED.

NO.	DATE	DESCRIPTION

PROJECT TITLE
NEW COMMUNITY POLICING BUILDING
BASRA CPO/RGC BUILDING

DRAWING TITLE
EXPANSION JOINT FLOOR DETAIL

PROJECT ARCHITECT
RAAD HAMMODAT

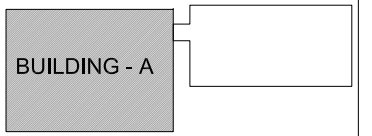
DRAWING NO.
IOMCPIQGOV-ARB10

FINISHES SCHEDULE

ROOM NO.	ROOM NAME	FLOOR	SKIRTING	WALLS	CEILING
01	MANAGER ROOM	30 X 30 X 2.5 CM MOSAIC TILES	10 CM HEIGHT CERAMIC SKIRTING	GYPSUM PLASTERING + PLASTIC PAINT	GYPSUM PLASTERING + PLASTIC PAINT
02	CP MEN OFFICE	DITTO	DITTO	DITTO	DITTO
03	CP MEN INTERVIEW	DITTO	DITTO	DITTO	DITTO
04	MEN WAITING RM	DITTO	DITTO	DITTO	DITTO
05	WOMEN WAITING RM	DITTO	DITTO	DITTO	DITTO
06	WOMEN CP OFFICE	DITTO	DITTO	DITTO	DITTO
07	WOMEN INTERVIEW ROM	DITTO	DITTO	DITTO	DITTO
08	CORRIDOR	DITTO	DITTO	DITTO	DITTO
09	KITCHINATE	DITTO	NIL	CERAMIC WALL TILES UP TO CEILING	FALSE CEILING PLASTIC TYPE
10	MEN BATHROOM	DITTO	---	DITTO	DITTO
11	MEN WC	DITTO	---	DITTO	DITTO
12	WOMEN BATHROOM	DITTO	---	DITTO	DITTO
13	WOMEN WC	DITTO	---	DITTO	DITTO
14	MANAGER WC	DITTO	---	DITTO	DITTO



IOM IRAQ
CP PROGRAM



KEY PLAN

GENERAL NOTE:
THIS DRAWING IS THE COPYRIGHT OF IOM CP PROGRAM - IRAQ, & IT IS NOT ALLOWED TO COPY OR REPRODUCE IT'S CONNECTION ANY FORM EXCEPT FOR THE PURPOSE WHICH IT IS INTENDED WITHOUT THE ABOVE CONSULTANTS AUTHORITY NOT SCALE THIS DRAWING ONLY STATED DIVISIONS ARE TO BE CONSIDERED.

NO.	DATE	DESCRIPTION

PROJECT TITLE
NEW COMMUNITY POLICING BUILDING
BASRA CPO/RGC BUILDING

DRAWING TITLE
FINISHES SCHEDULE
BUILDING - A

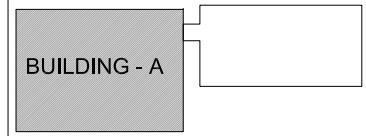
PROJECT ARCHITECT
RAAD HAMMODAT

DRAWING NO.
IOMCPIQGOV-AR-09



IOM IRAQ
CP PROGRAM

BUILDING - A STRUCTURAL DRAWINGS



KEY PLAN

GENERAL NOTE:
THIS DRAWING IS THE COPYRIGHT OF IOM CP PROGRAM - IRAQ, & IT IS NOT ALLOWED TO COPY OR REPRODUCE IT'S CONNECTION ANY FORM EXCEPT FOR THE PURPOSE WHICH IT IS INTENDED WITHOUT THE ABOVE CONSULTANTS AUTHORITY NOT SCALE THIS DRAWING ONLY STATED DIVISIONS ARE TO BE CONSIDERED.

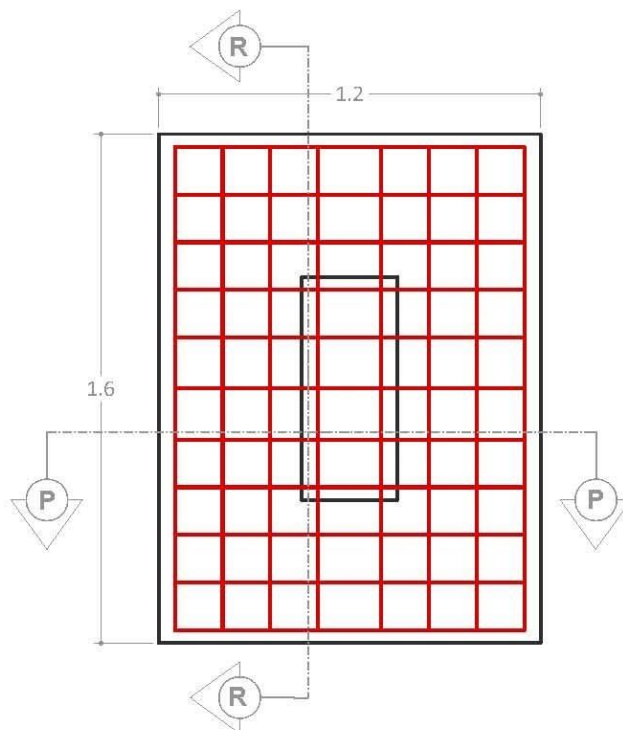
NO.	DATE	DESCRIPTION

PROJECT TITLE
NEW COMMUNITY POLICING BUILDING
BASRA CPO/RGC BUILDING

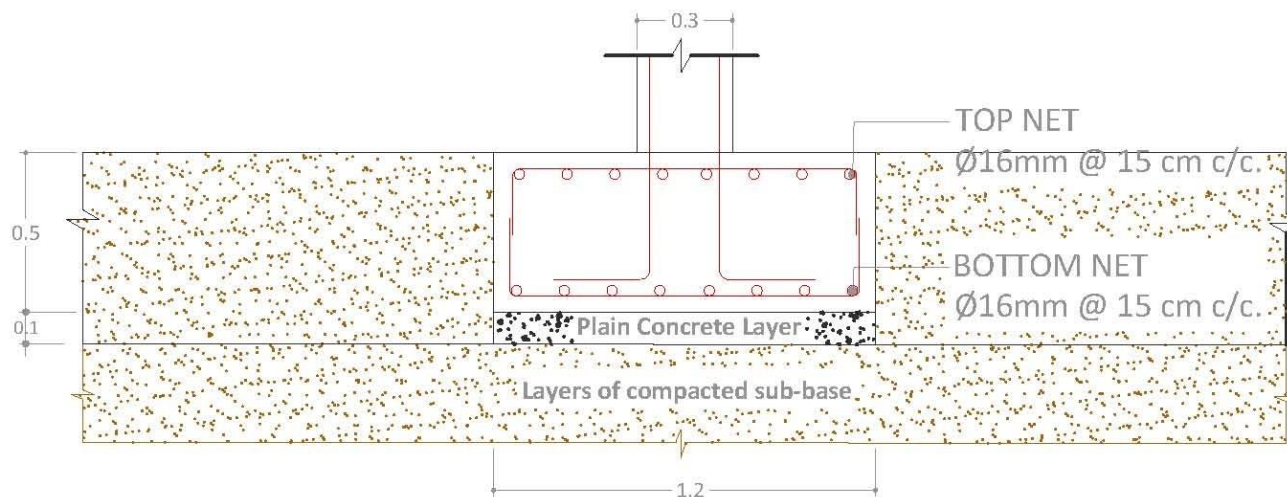
DRAWING TITLE

PROJECT ARCHITECT
RAAD HAMMODAT

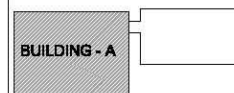
DRAWING NO.



TOP VIEW OF COLUMN BASE



SECTION P-P



KEY PLAN

GENERAL NOTE:

THIS DRAWING IS THE COPYRIGHT OF IOM CP PROGRAM - IRAQ, & IT IS NOT ALLOWED TO COPY OR REPRODUCE ITS CONNECTION ANY FORM EXCEPT FOR THE PURPOSE WHICH IT IS INTENDED WITHOUT THE ABOVE CONSULTANTS AUTHORITY NOT SCALE THIS DRAWING ONLY STATED DIVISIONS ARE TO BE CONSIDERED.

NO.	DATE	DESCRIPTION

PROJECT TITLE

NEW COMMUNITY POLICING BUILDING

DRAWING TITLE

FOUNDATION REINFORCEMENT
BUILDING - A

PROJECT ARCHITECT

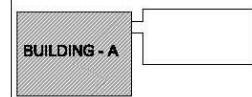
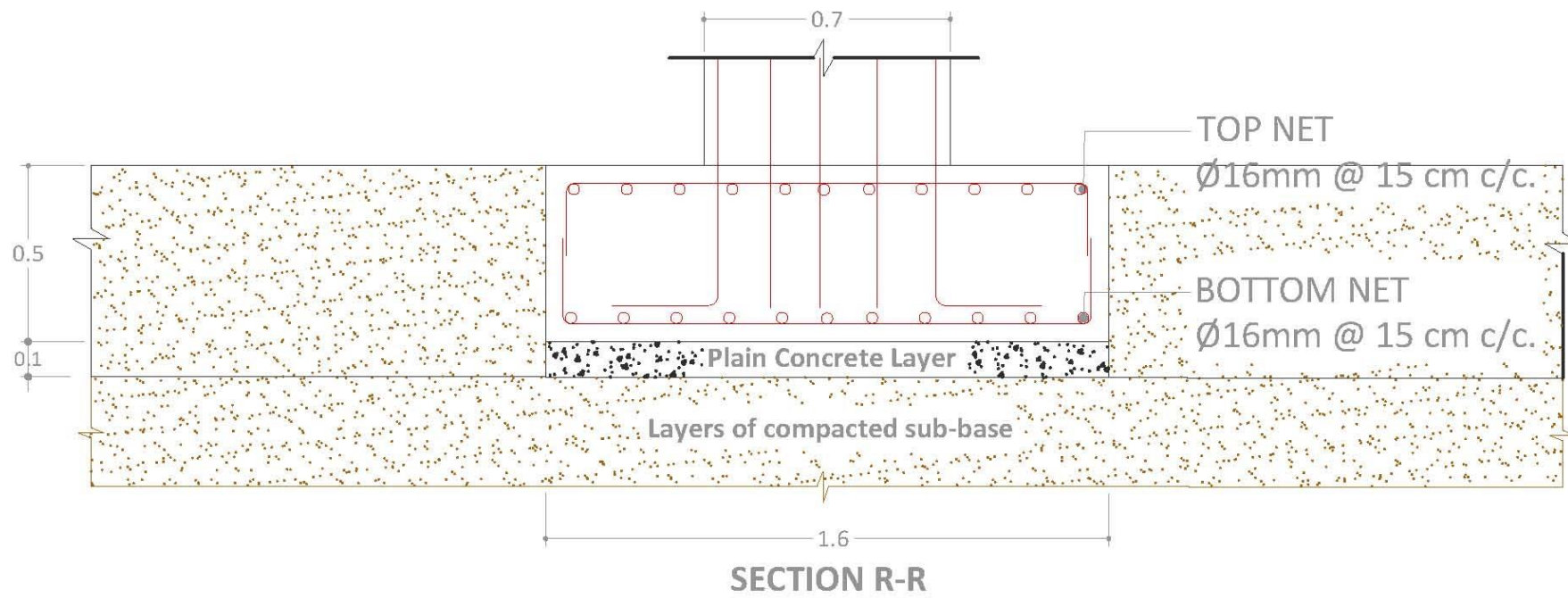
NAAD HANMODYAT

DESIGNED BY

IOM STRUCTURAL ENGINEER: ALI JIHAD

DRAWING NO.

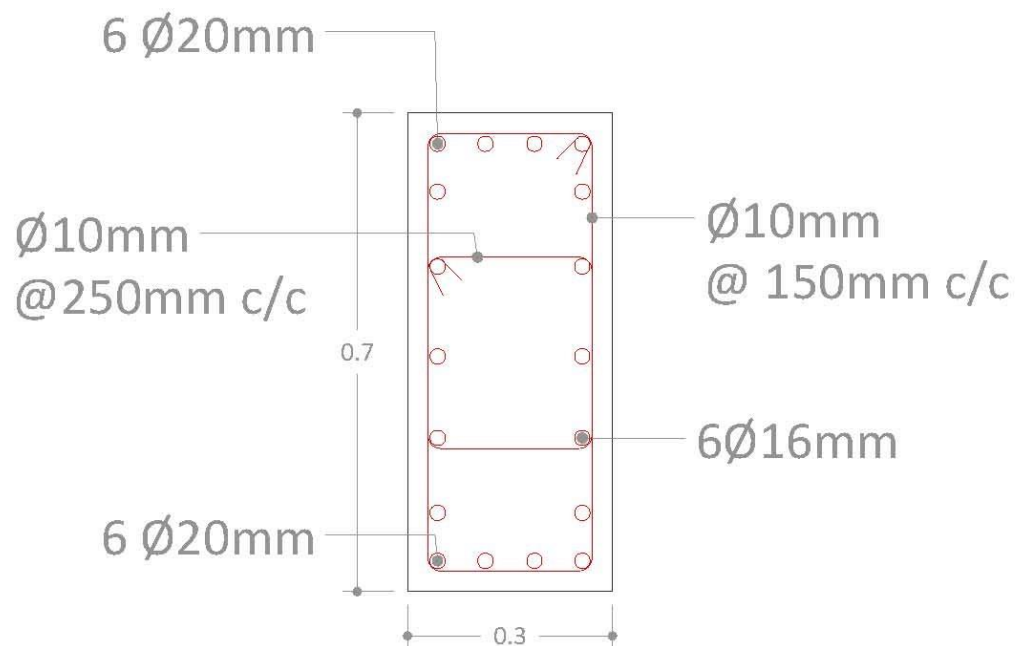
IOMCPIQGOV-ST-04



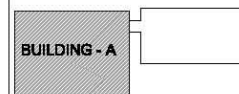
KEY PLAN

GENERAL NOTE:
THIS DRAWING IS THE COPYRIGHT OF IOM CP PROGRAM - IRAQ, & IT IS NOT ALLOWED TO COPY OR REPRODUCE ITS CONNECTION ANY FORM EXCEPT FOR THE PURPOSE WHICH IT IS INTENDED WITHOUT THE ABOVE CONSULTANTS AUTHORITY NOT SCALE THIS DRAWING ONLY STATED DIVISIONS ARE TO BE CONSIDERED.

NO.	DATE	DESCRIPTION
PROJECT TITLE		
NEW COMMUNITY POLICING BUILDING		
DRAWING TITLE		
FOUNDATION REINFORCEMENT BUILDING - A		
PROJECT ARCHITECT		
RAAD HAMBODAT		
DESIGNED BY		
IOM STRUCTURAL ENGINEER: ALI JIHAD		
DRAWING NO.		
IOMCPIQGOV-ST-05		



C - DETAILS OF COLUMN



KEY PLAN

GENERAL NOTE:

THIS DRAWING IS THE COPYRIGHT OF IOM CP PROGRAM - IRAQ, & IT IS NOT ALLOWED TO COPY OR REPRODUCE IT'S CONNECTION ANY FORM EXCEPT FOR THE PURPOSE WHICH IT IS INTENDED WITHOUT THE ABOVE CONSULTANTS AUTHORITY NOT SCALE THIS DRAWING ONLY STATED DIMENSIONS ARE TO BE CONSIDERED.

NO.	DATE	DESCRIPTION

PROJECT TITLE

NEW COMMUNITY POLICING BUILDING

DRAWING TITLE

COLUMN REINFORCEMENT
BUILDING - A

PROJECT ARCHITECT

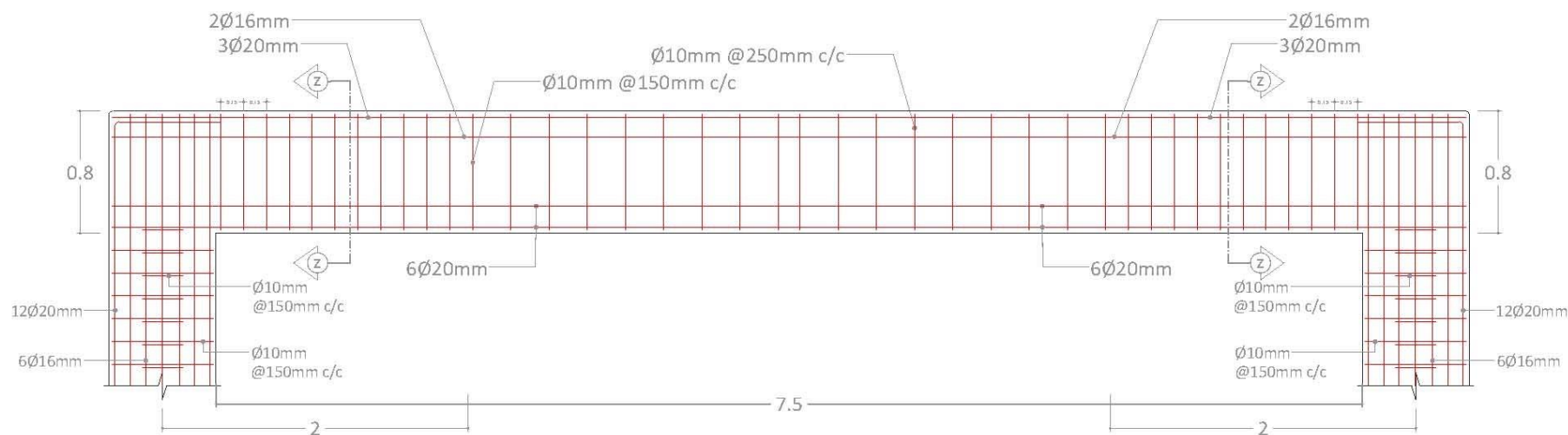
HAAD HANMUDAT

DESIGNED BY

IOM STRUCTURAL ENGINEER: ALI JIHAD

DRAWING NO.

IOMCPIQGOV-ST-08



**B - DETAILS OF BEAM & COLUMNS
LONGITUDINAL SECTION**

BUILDING - A

KEY PLAN

GENERAL NOTE:
THIS DRAWING IS THE COPYRIGHT OF IOM CP PROGRAM - IRAQ, & IT IS NOT ALLOWED TO COPY OR REPRODUCE ITS CONNECTION ANY FORM EXCEPT FOR THE PURPOSE WHICH IT IS INTENDED WITHOUT THE ABOVE CONSULTANTS AUTHORITY NOT SCALE THIS DRAWING ONLY STATED DIVISIONS ARE TO BE CONSIDERED.

NO.	DATE	DESCRIPTION

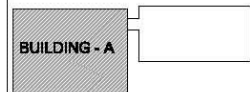
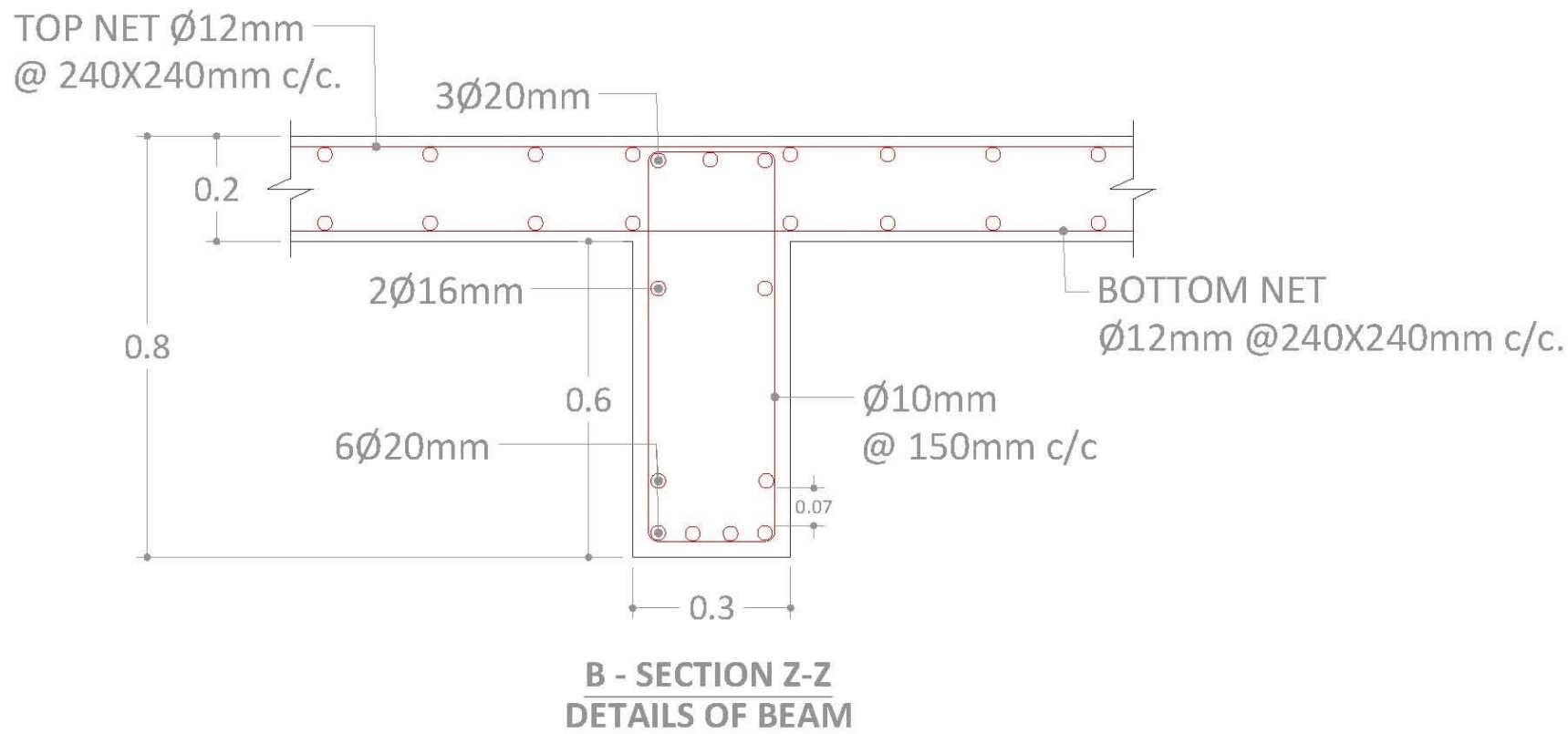
PROJECT TITLE
NEW COMMUNITY POLICING BUILDING

DRAWING TITLE
BEAM REINFORCEMENT
BUILDING - A

PROJECT ARCHITECT
RAED HANMOOAT

DESIGNED BY
IOM STRUCTURAL ENGINEER, ALI JIHAD

DRAWING NO.
IOMCPIQGOV-ST-07



KEY PLAN

GENERAL NOTE:

THIS DRAWING IS THE COPYRIGHT OF IOM CP PROGRAM - IRAQ, & IT IS NOT ALLOWED TO COPY OR REPRODUCE IT'S CONNECTION ANY FORM EXCEPT FOR THE PURPOSE WHICH IT IS INTENDED WITHOUT THE ABOVE CONSULTANTS AUTHORITY NOT SCALE THIS DRAWING ONLY STATED DIVISIONS ARE TO BE CONSIDERED.

NO.	DATE	DESCRIPTION

PROJECT TITLE

NEW COMMUNITY POLICING BUILDING

DRAWING TITLE

BEAM REINFORCEMENT
BUILDING - A

PROJECT ARCHITECT

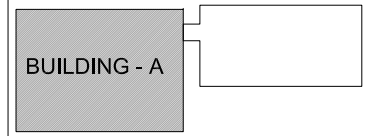
HAAD HAMBODAKT

DESIGNED BY

IOM STRUCTURAL ENGINEER: ALI JIHAD

DRAWING NO.

IOMCPIQGOV-ST-07



KEY PLAN

GENERAL NOTE:
THIS DRAWING IS THE COPYRIGHT OF IOM CP PROGRAM - IRAQ, & IT IS NOT ALLOWED TO COPY OR REPRODUCE ITS CONNECTION ANY FORM EXCEPT FOR THE PURPOSE WHICH IT IS INTENDED WITHOUT THE ABOVE CONSULTANTS AUTHORITY NOT SCALE THIS DRAWING ONLY STATED DIVISIONS ARE TO BE CONSIDERED.

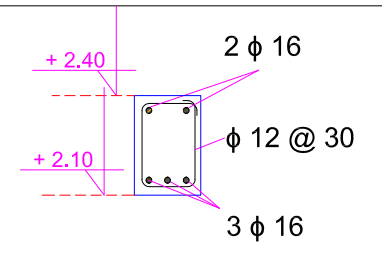
NO.	DATE	DESCRIPTION

PROJECT TITLE
NEW COMMUNITY POLICING BUILDING
BASRA CPO/RGC BUILDING

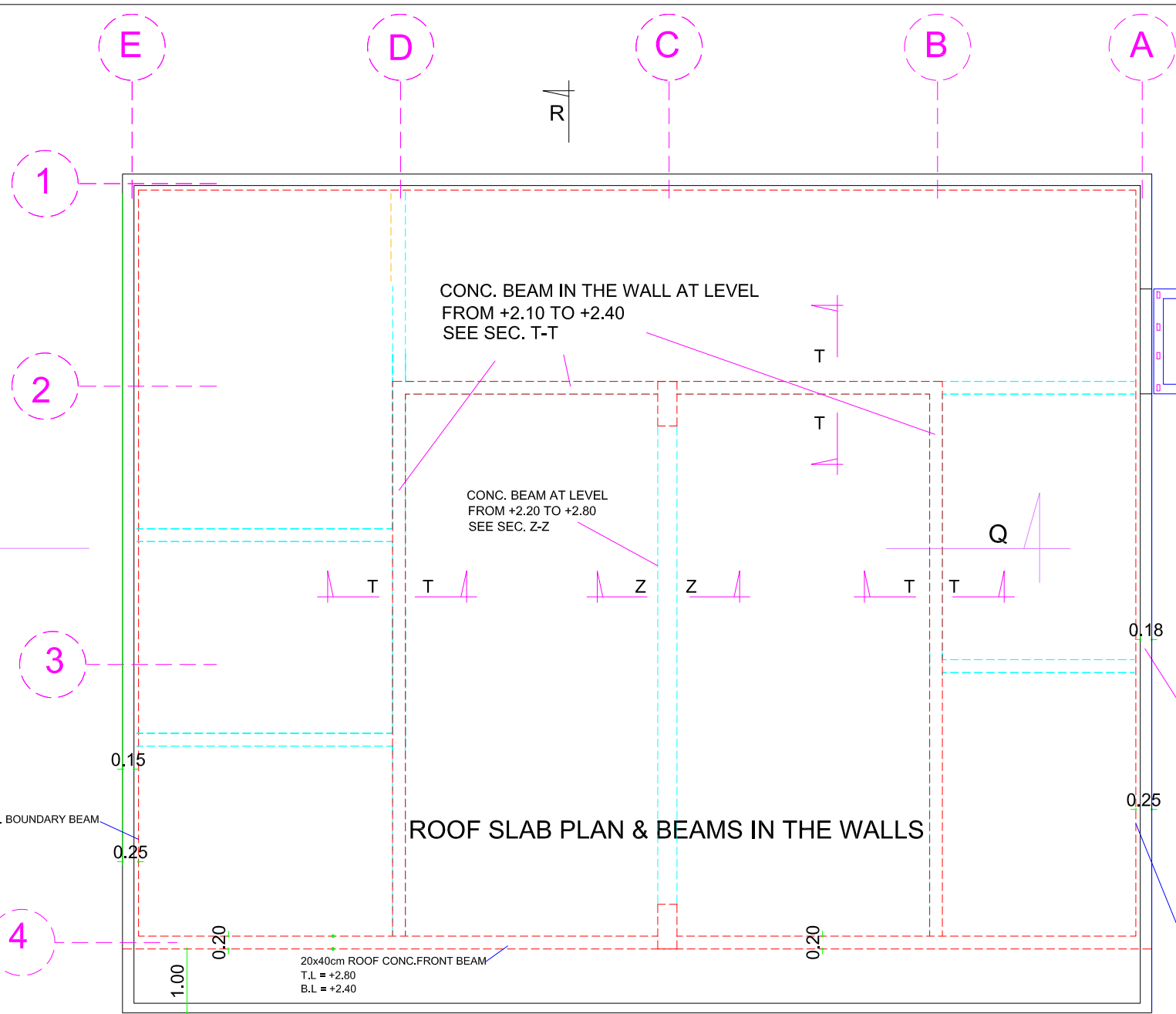
DRAWING TITLE
STRUCTURAL ROOF REINFORCEMENT
BUILDING - A

PROJECT ARCHITECT
RAAD HAMMODAT
DESIGNED BY
IOM STRUCTURAL ENGINEER: IMAD DELFI

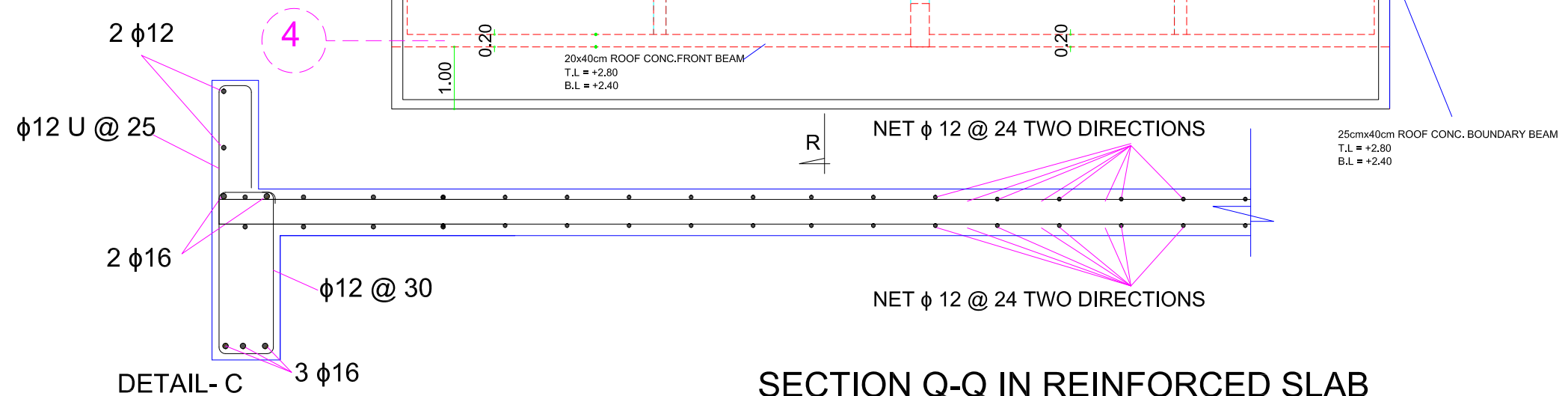
DRAWING NO.
IOMCPIQGOV-ST02



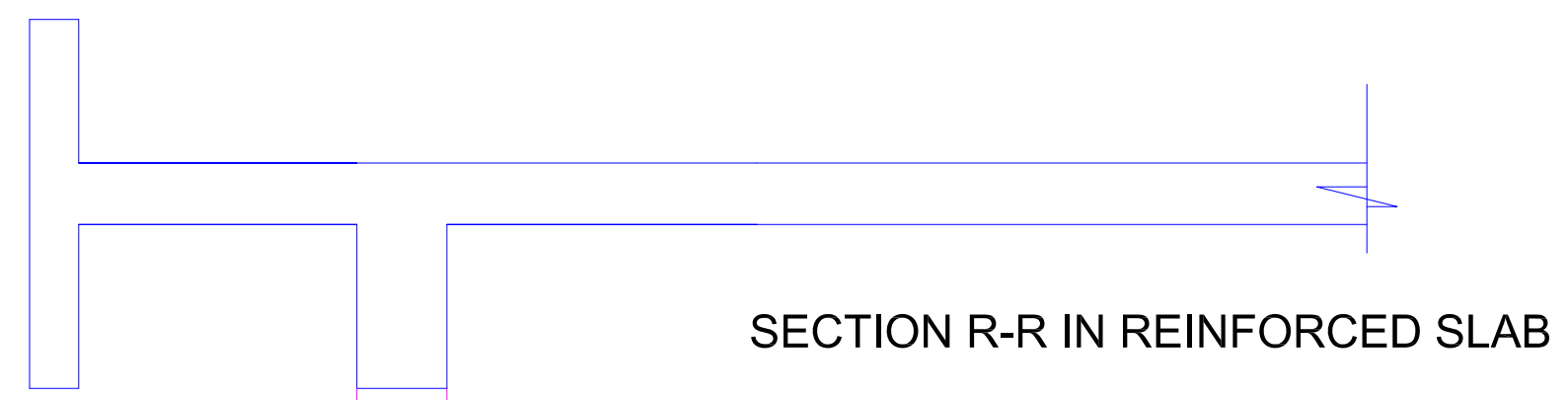
SEC. T-T DETAIL-D
REINF. PLAN - CONC. BEAM



ROOF SLAB PLAN & BEAMS IN THE WALLS



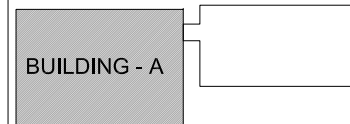
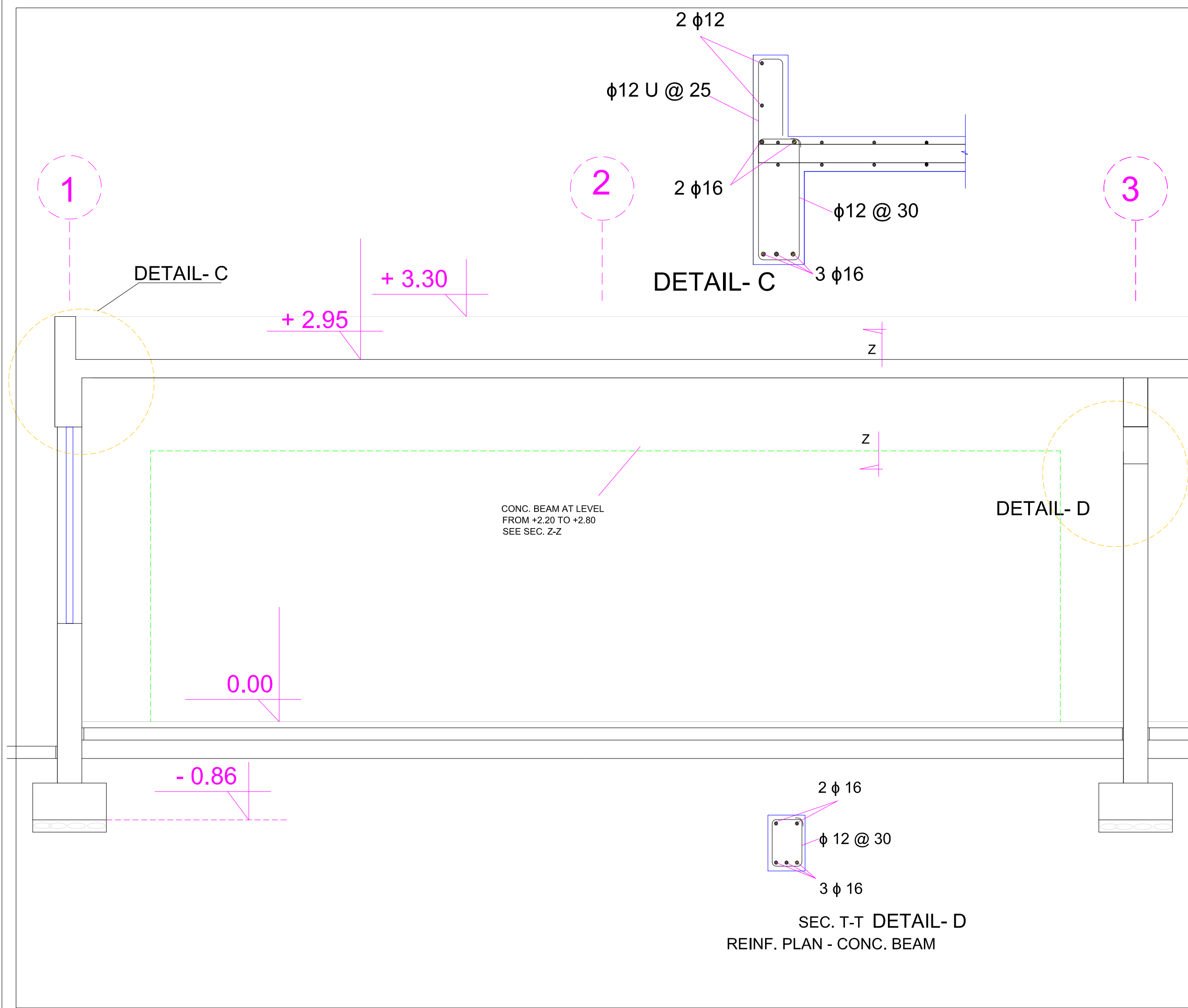
SECTION Q-Q IN REINFORCED SLAB



SECTION R-R IN REINFORCED SLAB



IOM IRAQ
CP PROGRAM



KEY PLAN

GENERAL NOTE:
THIS DRAWING IS THE COPYRIGHT OF IOM CP PROGRAM - IRAQ, & IT IS NOT ALLOWED TO COPY OR REPRODUCE ITS CONNECTION ANY FORM EXCEPT FOR THE PURPOSE WHICH IT IS INTENDED WITHOUT THE ABOVE CONSULTANTS AUTHORITY NOT SCALE THIS DRAWING ONLY STATED DIVISIONS ARE TO BE CONSIDERED.

NO.	DATE	DESCRIPTION

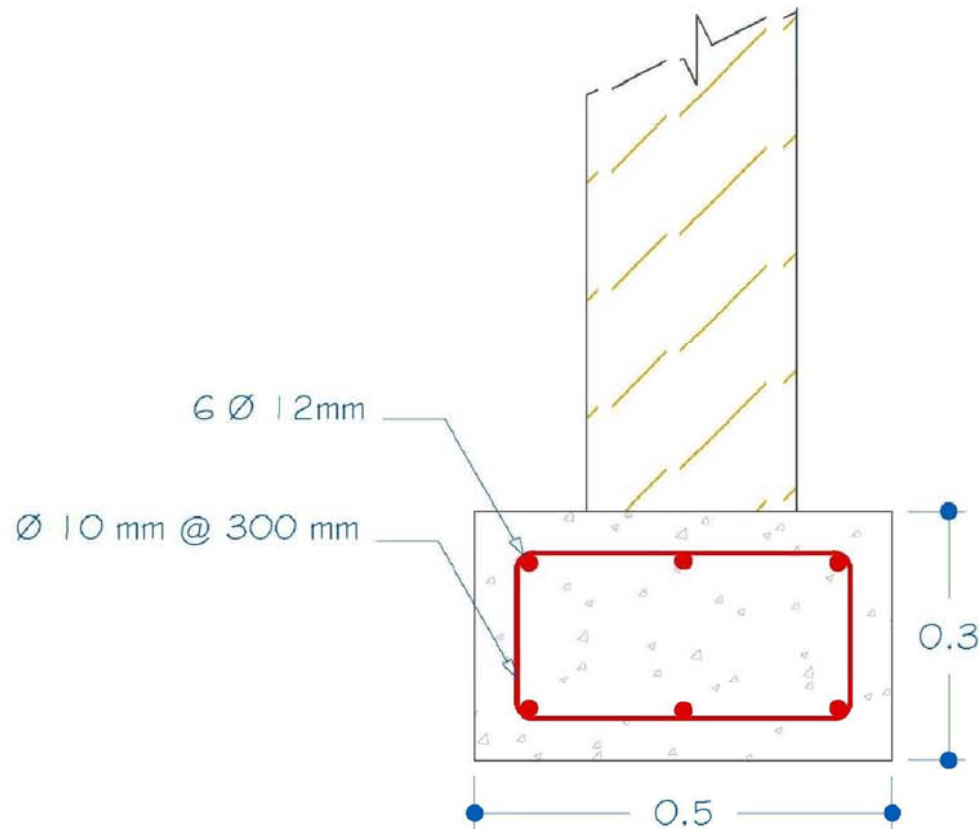
PROJECT TITLE
NEW COMMUNITY POLICING BUILDING
BASRA CPO/RGC BUILDING

DRAWING TITLE
STRUCTURAL DETAILS REINFORCEMENT
BUILDING - A

PROJECT ARCHITECT
RAAD HAMMODAT
DESIGNED BY
IOM STRUCTURAL ENGINEER: IMAD DELFI

DRAWING NO.
IOMCPIQGOV-ST03

2 φ 16
φ 12 @ 30
3 φ 16
SEC. T-T DETAIL- D
REINF. PLAN - CONC. BEAM



GENERAL NOTE:

THIS DRAWING IS THE COPYRIGHT OF IOM - MMU - IRAQ, & IT IS NOT ALLOWED TO COPY OR REPRODUCE ITS CONNECTION ANY FORM EXCEPT FOR THE PURPOSE WHICH IT IS INTENDED WITHOUT THE ABOVE CONSULTANTS AUTHORITY NOT SCALE THIS DRAWING ONLY STATED DIVISIONS ARE TO BE CONSIDERED.

NO.	DATE	DESCRIPTION

PROJECT TITLE

DRAWING TITLE

**EXTERNAL FENCE FOUNDATION
REINFORCEMENT**

PROJECT ARCHITECT

RAAD HAMMOUDAT

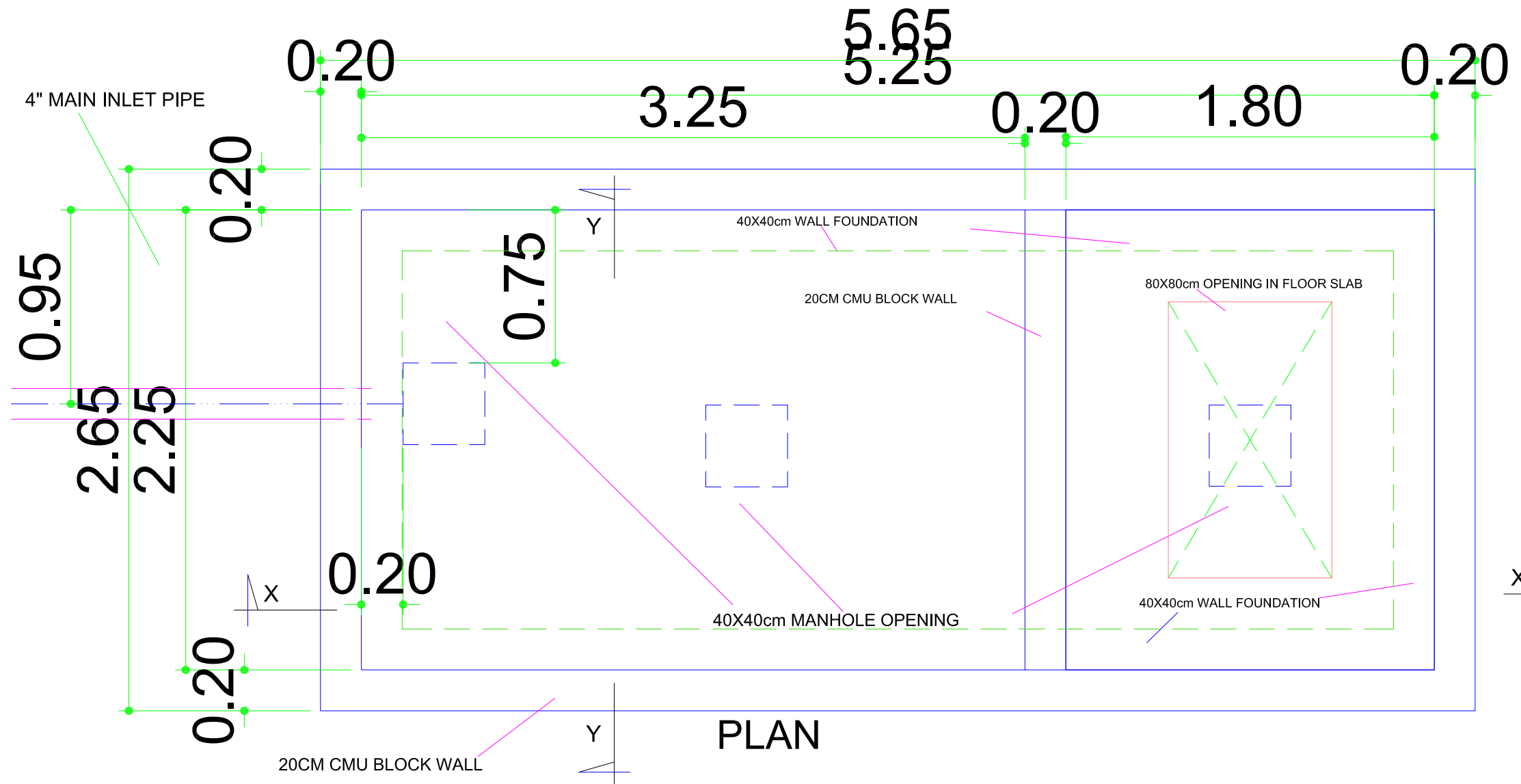
DESIGNED BY

CIVIL Eng. Ali Jhaed Hamed

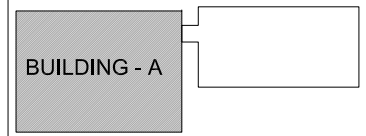
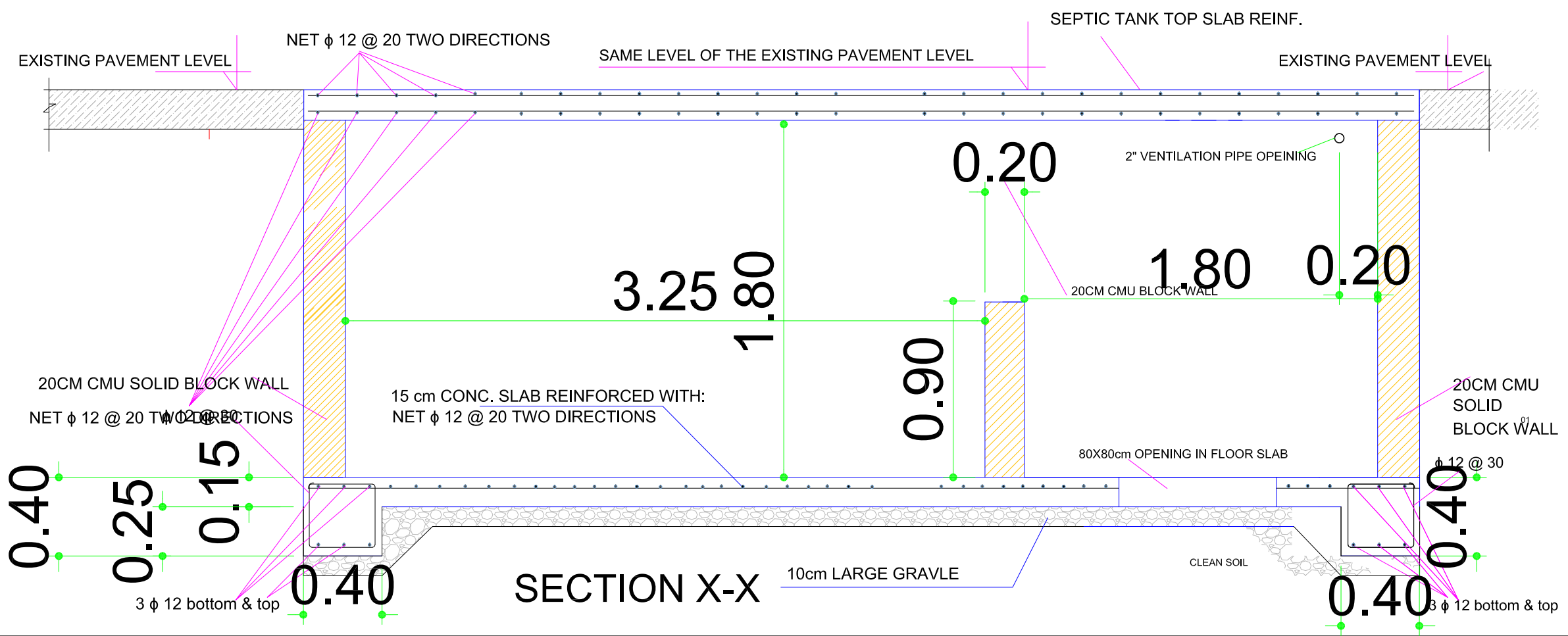
DRAWING NO.

IOMCPIQGOV-AR10-a

Details of steel reinforcement for fence Foundation



COMMUNITY POLICING BUILDING



KEY PLAN

GENERAL NOTE:
THIS DRAWING IS THE COPYRIGHT OF IOM CP PROGRAM - IRAQ, & IT IS NOT ALLOWED TO COPY OR REPRODUCE ITS CONNECTION ANY FORM EXCEPT FOR THE PURPOSE WHICH IT IS INTENDED WITHOUT THE ABOVE CONSULTANTS AUTHORITY NOT SCALE THIS DRAWING ONLY STATED DIVISIONS ARE TO BE CONSIDERED.

NO.	DATE	DESCRIPTION
01	10-10-2018	CHANGING THE HEIGHT & WIDTH

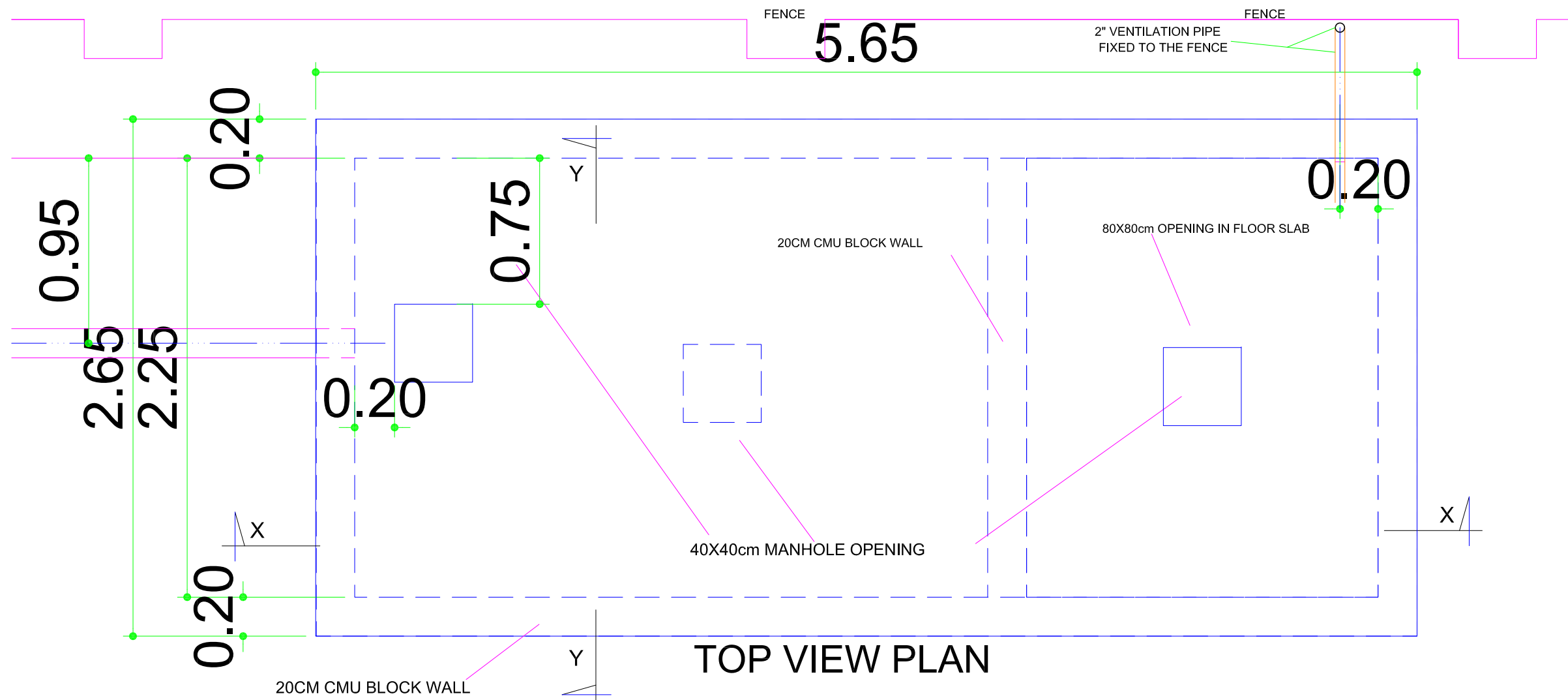
PROJECT TITLE
NEW COMMUNITY POLICING BUILDING
BASRA CPO/RGC BUILDING

DRAWING TITLE
SEPTIC TANK REINFORCEMENT- SECTION X-X

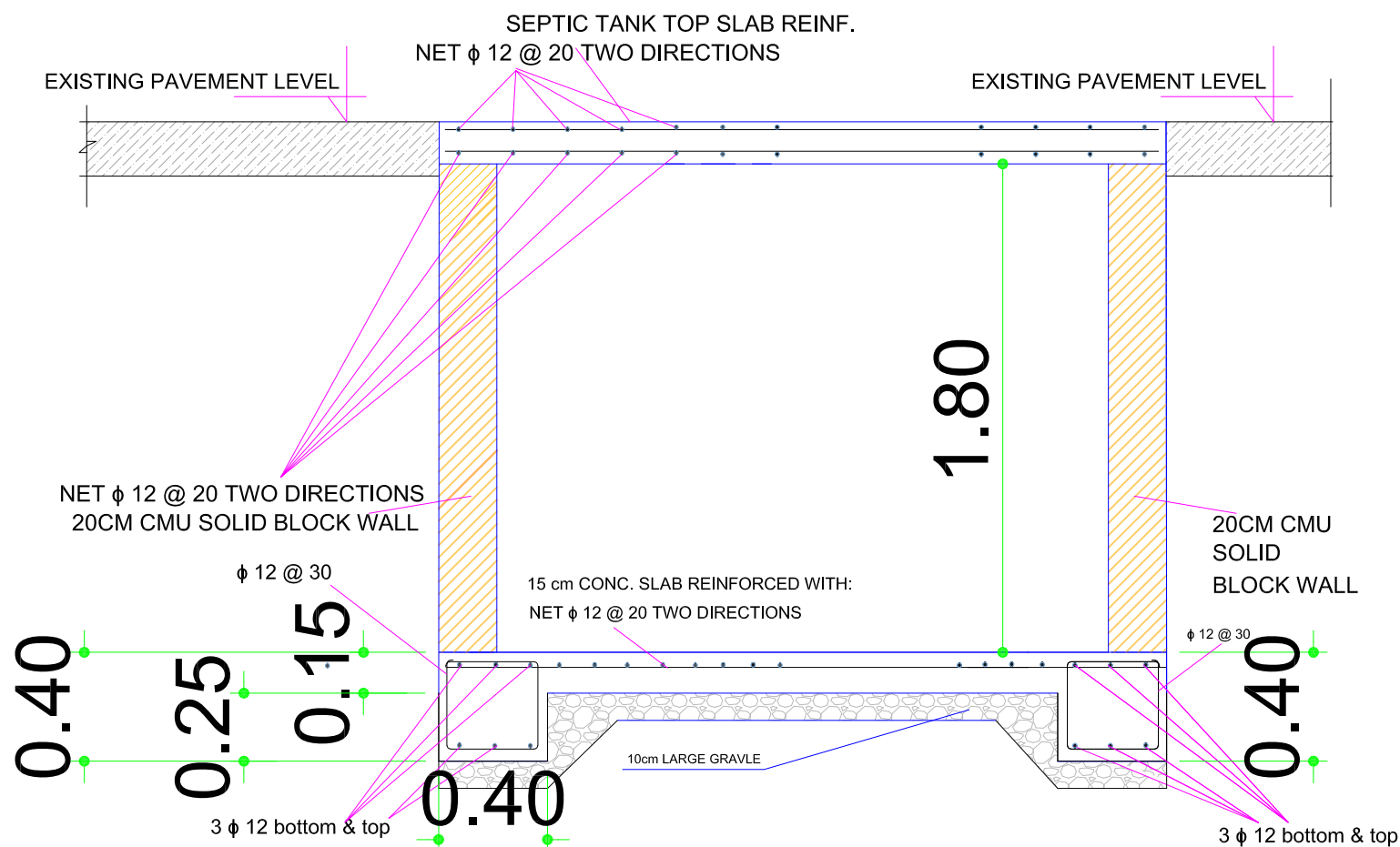
PROJECT ARCHITECT
RAAD HAMMODAT

DESIGNED BY
IOM STRUCTURAL ENGINEER: IMAD DELFI

DRAWING NO.
IOMCPIQGOV-ST04



TOP VIEW PLAN



SECTION Y-Y

BUILDING - A

KEY PLAN

GENERAL NOTE:

THIS DRAWING IS THE COPYRIGHT OF IOM CP PROGRAM - IRAQ, & IT IS NOT ALLOWED TO COPY OR REPRODUCE IT'S CONNECTION ANY FORM EXCEPT FOR THE PURPOSE WHICH IT IS INTENDED WITHOUT THE ABOVE CONSULTANTS AUTHORITY NOT SCALE THIS DRAWING ONLY STATED DIVISIONS ARE TO BE CONSIDERED.

NO.	DATE	DESCRIPTION
01	09-10-2018	CHANGING THE HEIGHT & WIDTH

PROJECT TITLE
NEW COMMUNITY POLICING BUILDING
BASRA CPO/RGC BUILDING

DRAWING TITLE
SEPTIC TANK REINFORCEMENT- SECTION Y-Y

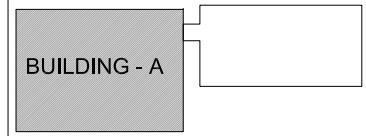
PROJECT ARCHITECT
RAAD HAMMODAT
DESIGNED BY
IOM STRUCTURAL ENGINEER: IMAD DELFI

DRAWING NO.
IOMCPIQGOV-ST05



IOM IRAQ
CP PROGRAM

BUILDING - A ELECTRICAL DRAWINGS



KEY PLAN

GENERAL NOTE:
THIS DRAWING IS THE COPYRIGHT OF IOM CP PROGRAM - IRAQ, & IT IS NOT ALLOWED TO COPY OR REPRODUCE IT'S CONNECTION ANY FORM EXCEPT FOR THE PURPOSE WHICH IT IS INTENDED WITHOUT THE ABOVE CONSULTANTS AUTHORITY NOT SCALE THIS DRAWING ONLY STATED DIVISIONS ARE TO BE CONSIDERED.

NO.	DATE	DESCRIPTION

PROJECT TITLE
NEW COMMUNITY POLICING BUILDING
BASRA CPO/RGC BUILDING

DRAWING TITLE

PROJECT ARCHITECT
RAAD HAMMODAT

DRAWING NO.

BUILDING - B

BUILDING - A

Project Title:
KEY PLAN

GENERAL NOTE:
THIS DRAWING IS THE COPYRIGHT OF IOM CP PROGRAM - IRAQ, & IT IS NOT ALLOWED TO COPY OR REPRODUCE ITS CONNECTION ANY FORM EXCEPT FOR THE PURPOSE WHICH IT IS INTENDED WITHOUT THE ABOVE CONSULTANTS AUTHORITY NOT SCALE THIS DRAWING ONLY STATED DIVISIONS ARE TO BE CONSIDERED.

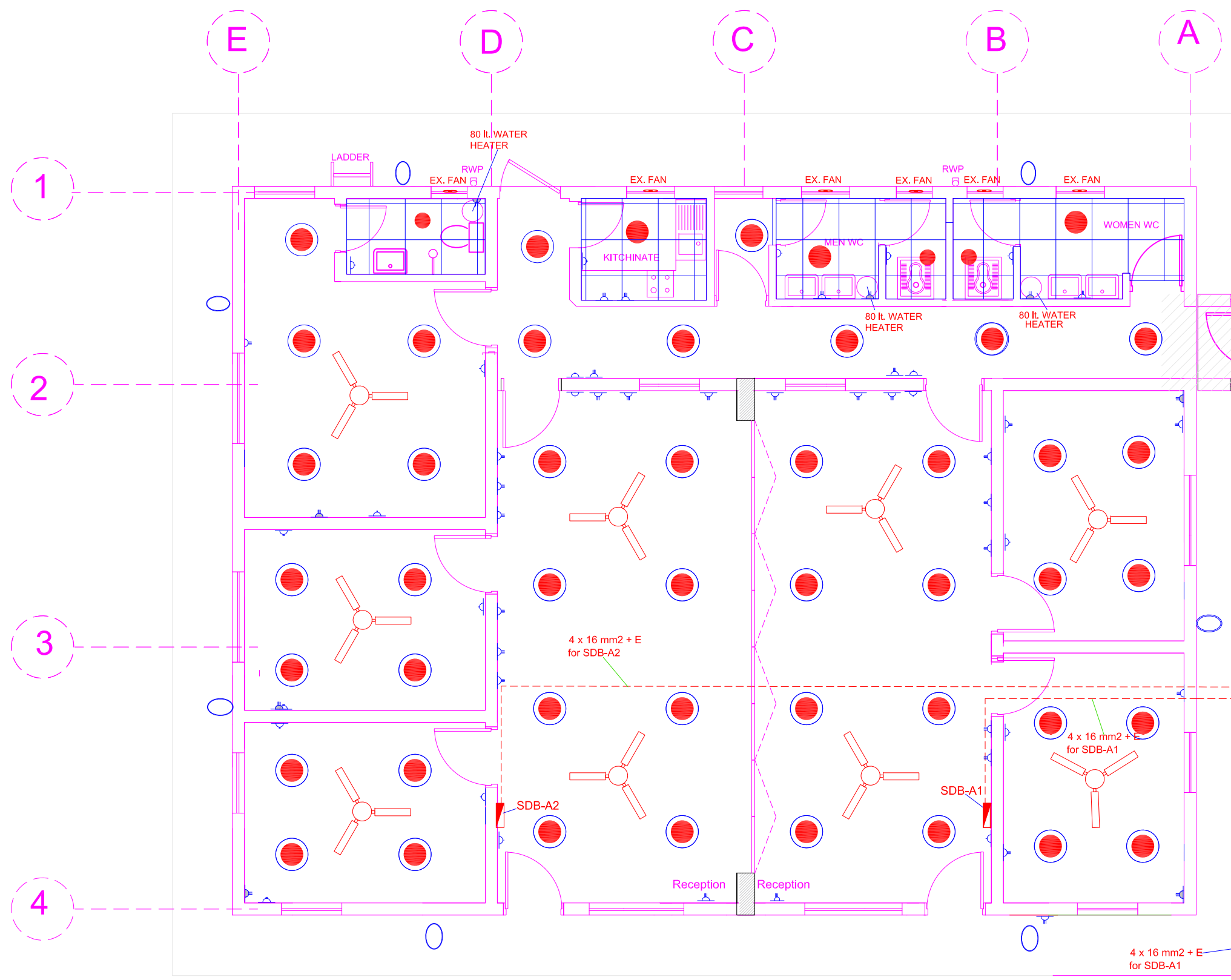
NO.	DATE	DESCRIPTION

PROJECT TITLE
NEW COMMUNITY POLICING BUILDING
BASRA CPO/RGC BUILDING

DRAWING TITLE
ELECTRICAL EQUIPMENT & FITTINGS
GROUND FLOOR PLAN
BUILDING - A

PROJECT ARCHITECT
RAAD HAMMODAT

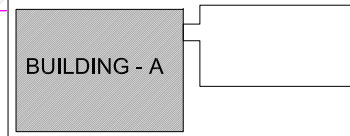
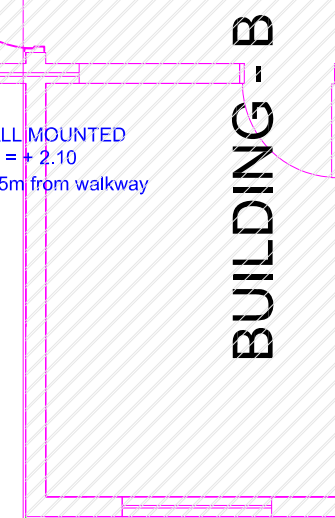
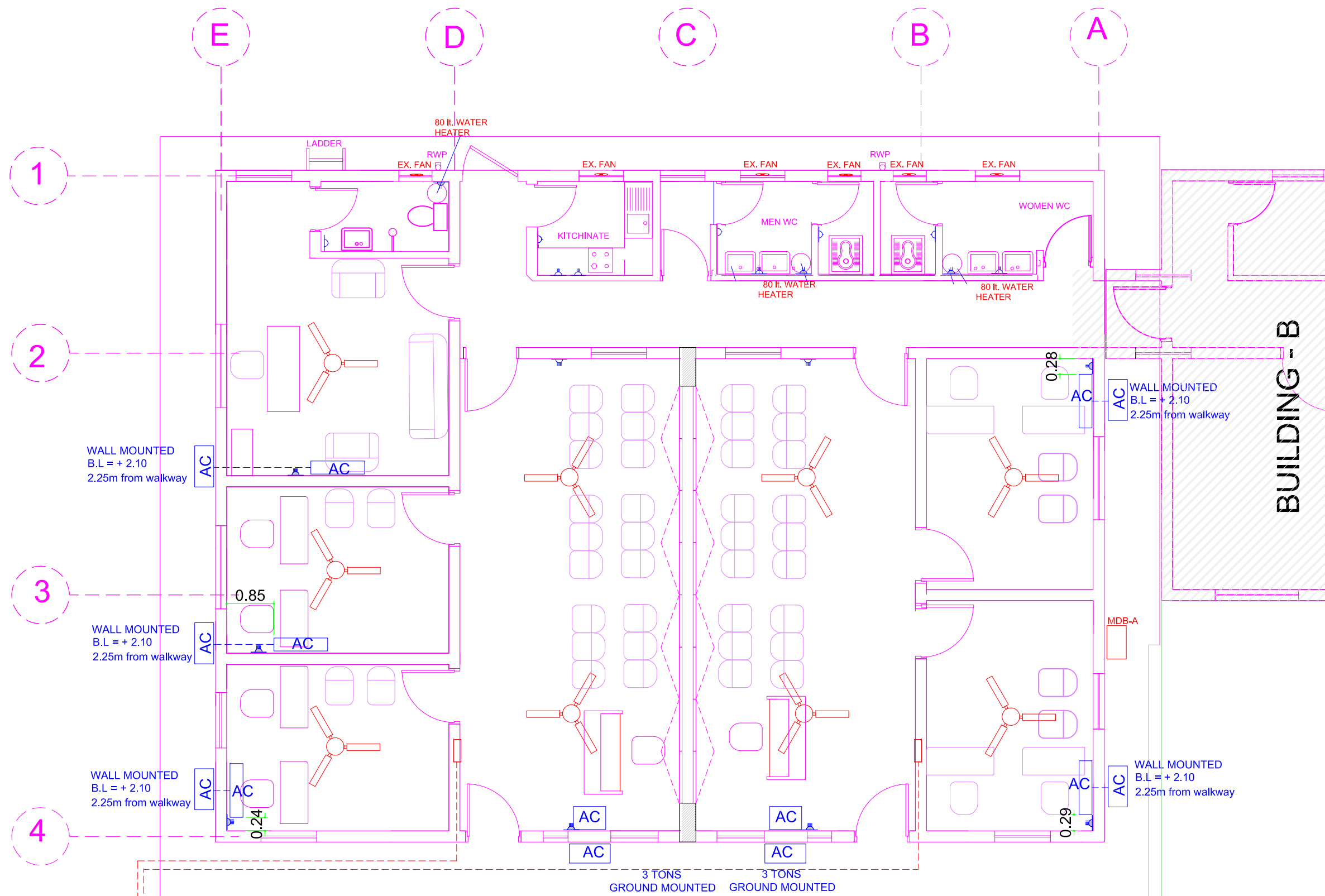
DRAWING NO. IOMCPIQGOV-EL-01



LEGEND

ROOM WITH FALSE CEILING		switch light		Economic LED lamp 24 WAT with bracket	
		Switch plug 13 A		Economic LED lamp 18 WAT with bracket	
		Switch plug 40 A		False ceiling type Economic LED lamp 24 WAT	
		Ceiling mounted Ceiling fan 60x60 cm		False ceiling type Economic LED lamp 18 WAT	
		False ceiling type Ceiling fan 60x60 cm		External damp proof Economic lamp	
		Ceiling fan		Economic LED lamp fixture with shading	

G. FLOOR PLAN WITH ELECTRICAL EQUIP



KEY PLAN

GENERAL NOTE:
THIS DRAWING IS THE COPYRIGHT OF IOM CP PROGRAM - IRAQ, & IT IS NOT ALLOWED TO COPY OR REPRODUCE ITS CONNECTION ANY FORM EXCEPT FOR THE PURPOSE WHICH IT IS INTENDED WITHOUT THE ABOVE CONSULTANTS AUTHORITY NOT SCALE THIS DRAWING ONLY STATED DIVISIONS ARE TO BE CONSIDERED.

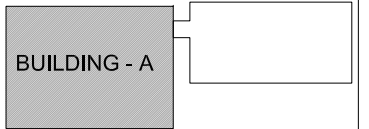
NO.	DATE	DESCRIPTION
PROJECT TITLE		
NEW COMMUNITY POLICING BUILDING BASRA CPO/RGC BUILDING		
DRAWING TITLE		
AC SPLIT UNITS LAYOUT BUILDING - A		
PROJECT ARCHITECT		
RAAD HAMMODAT		
DRAWING NO.		
IOMCPIQGOV-ME-01		

BUILDING - A

SANITARY DRAWINGS



IOM IRAQ
CP PROGRAM



KEY PLAN

GENERAL NOTE:

THIS DRAWING IS THE COPYRIGHT OF IOM CP PROGRAM - IRAQ, & IT IS NOT ALLOWED TO COPY OR REPRODUCE ITS CONNECTION ANY FORM EXCEPT FOR THE PURPOSE WHICH IT IS INTENDED WITHOUT THE ABOVE CONSULTANTS AUTHORITY NOT SCALE THIS DRAWING ONLY STATED DIVISIONS ARE TO BE CONSIDERED.

NO.	DATE	DESCRIPTION

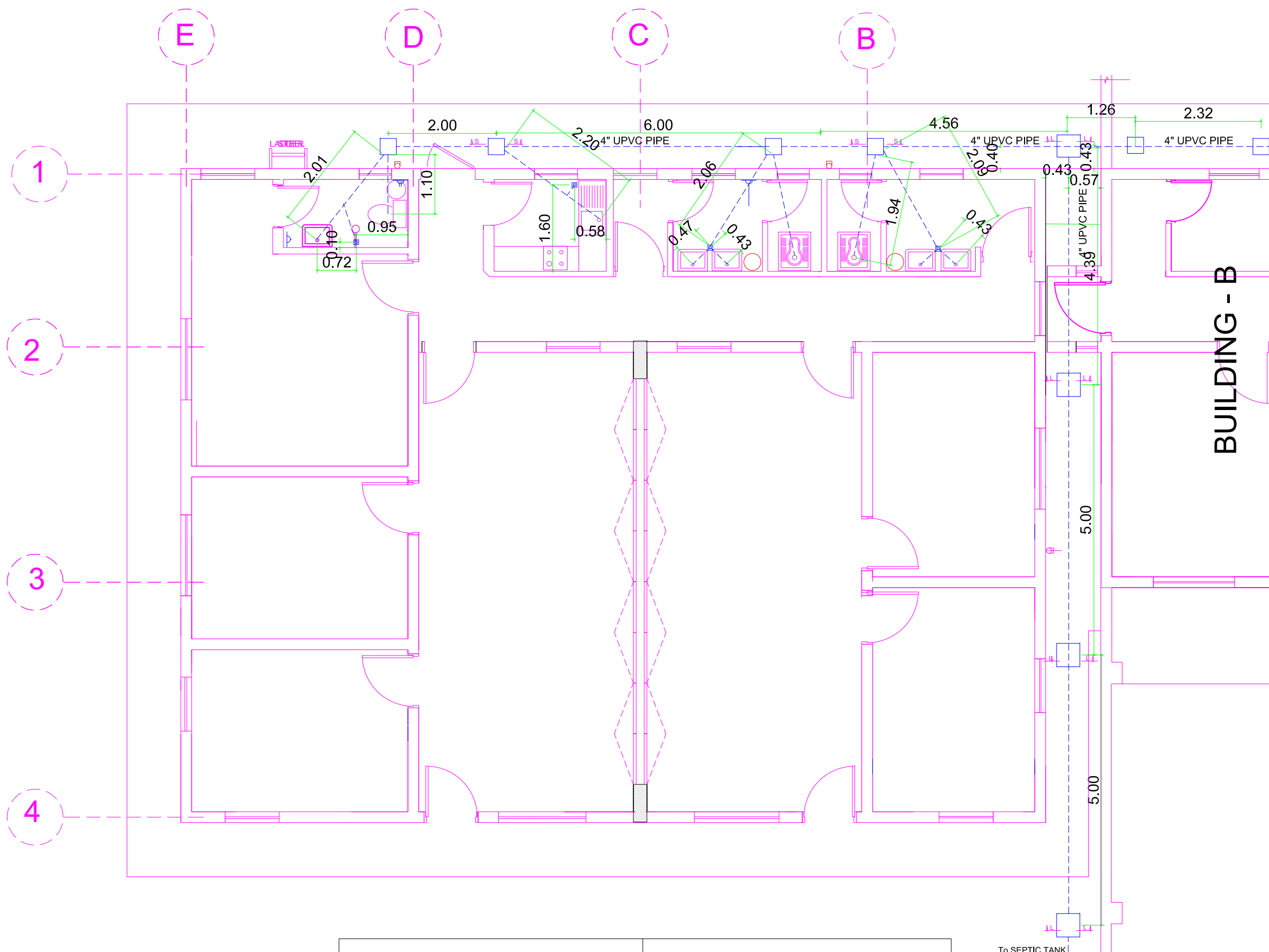
PROJECT TITLE

NEW COMMUNITY POLICING BUILDING
BASRA CPO/RGC BUILDING

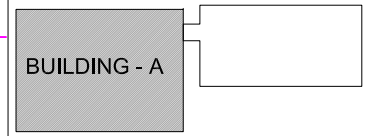
DRAWING TITLE

PROJECT ARCHITECT
RAAD HAMMODAT

DRAWING NO.



BUILDING - B



KEY PLAN

GENERAL NOTE:
THIS DRAWING IS THE COPYRIGHT OF IOM CP PROGRAM - IRAQ, & IT IS NOT ALLOWED TO COPY OR REPRODUCE ITS CONNECTION ANY FORM EXCEPT FOR THE PURPOSE WHICH IT IS INTENDED WITHOUT THE ABOVE CONSULTANTS AUTHORITY NOT SCALE THIS DRAWING ONLY STATED DIVISIONS ARE TO BE CONSIDERED.

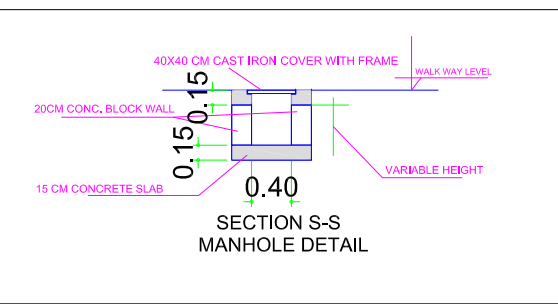
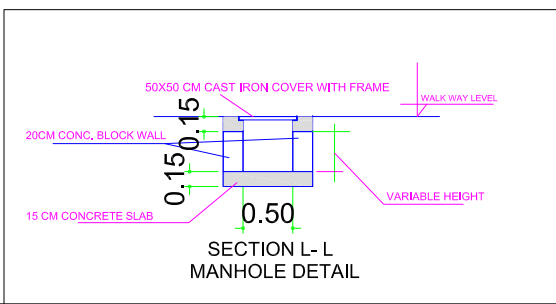
NO.	DATE	DESCRIPTION

PROJECT TITLE
NEW COMMUNITY POLICING BUILDING
BASRA CPO/RGC BUILDING

DRAWING TITLE
SEWER NETWORK
BUILDING - A

PROJECT ARCHITECT
RAAD HAMMODAT

DRAWING NO.
IOMCPIQGOV-SA-01



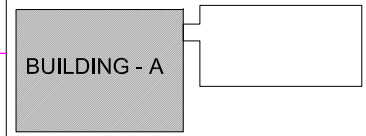
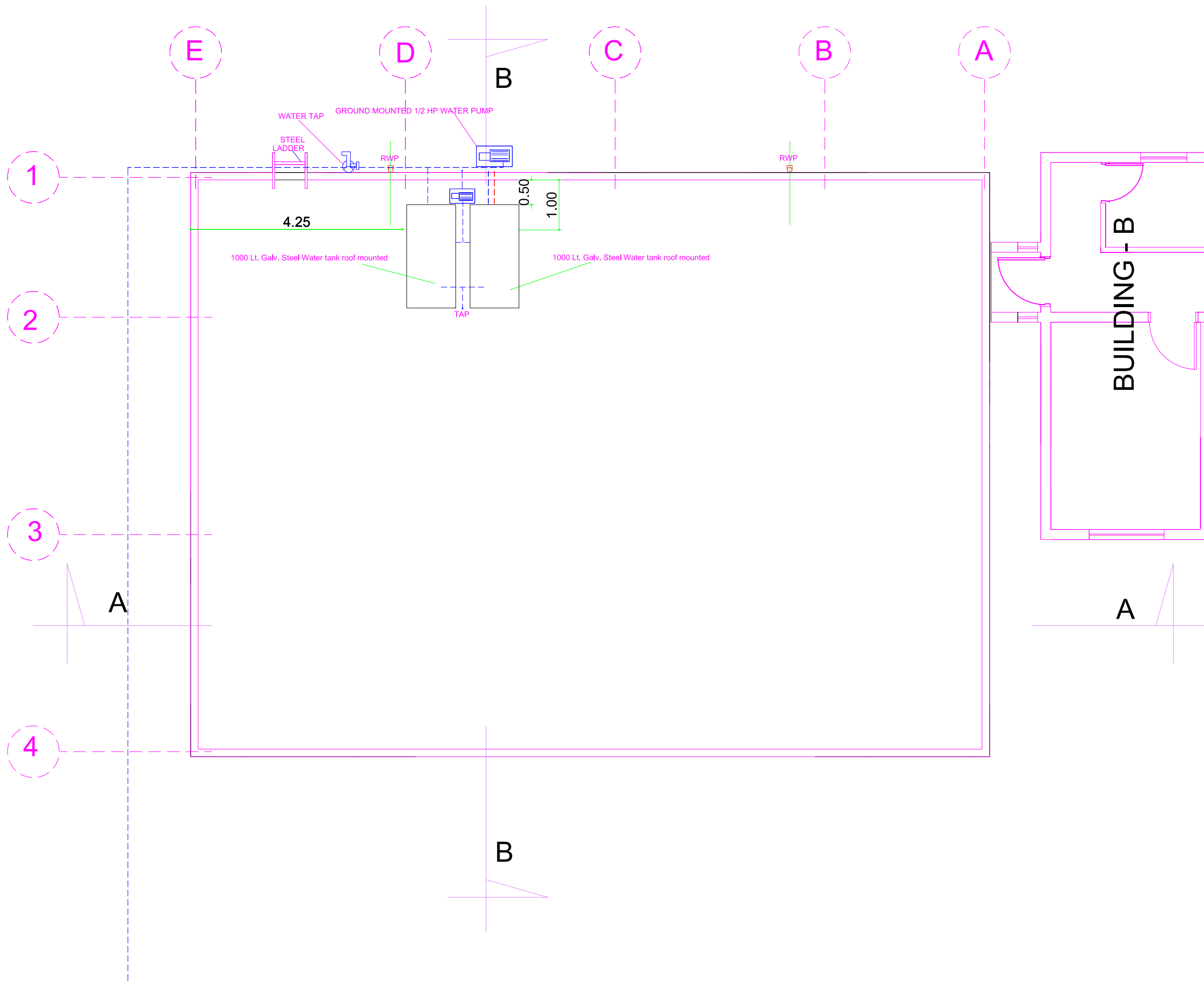
LEGEND

UPVC PIPE 6 BAR

100MM DIA DRAIN WITH GULLY TRAP



IOM IRAQ
CP PROGRAM



KEY PLAN

GENERAL NOTE:
THIS DRAWING IS THE COPYRIGHT OF IOM CP PROGRAM - IRAQ, & IT IS NOT ALLOWED TO COPY OR REPRODUCE ITS CONNECTION ANY FORM EXCEPT FOR THE PURPOSE WHICH IT IS INTENDED WITHOUT THE ABOVE CONSULTANTS AUTHORITY NOT SCALE THIS DRAWING ONLY STATED DIVISIONS ARE TO BE CONSIDERED.

NO.	DATE	DESCRIPTION
PROJECT TITLE		
NEW COMMUNITY POLICING BUILDING BASRA CPO/RGC BUILDING		
DRAWING TITLE		
WATER TANK PLAN BUILDING - A		
PROJECT ARCHITECT		
RAAD HAMMODAT		
DRAWING NO.		
IOMCPIQGOV-SA02		

BUILDING - B

BUILDING - A

KEY PLAN

GENERAL NOTE:
THIS DRAWING IS THE COPYRIGHT OF IOM CP PROGRAM - IRAQ, & IT IS NOT ALLOWED TO COPY OR REPRODUCE IT'S CONNECTION ANY FORM EXCEPT FOR THE PURPOSE WHICH IT IS INTENDED WITHOUT THE ABOVE CONSULTANTS AUTHORITY NOT SCALE THIS DRAWING ONLY STATED DIVISIONS ARE TO BE CONSIDERED.

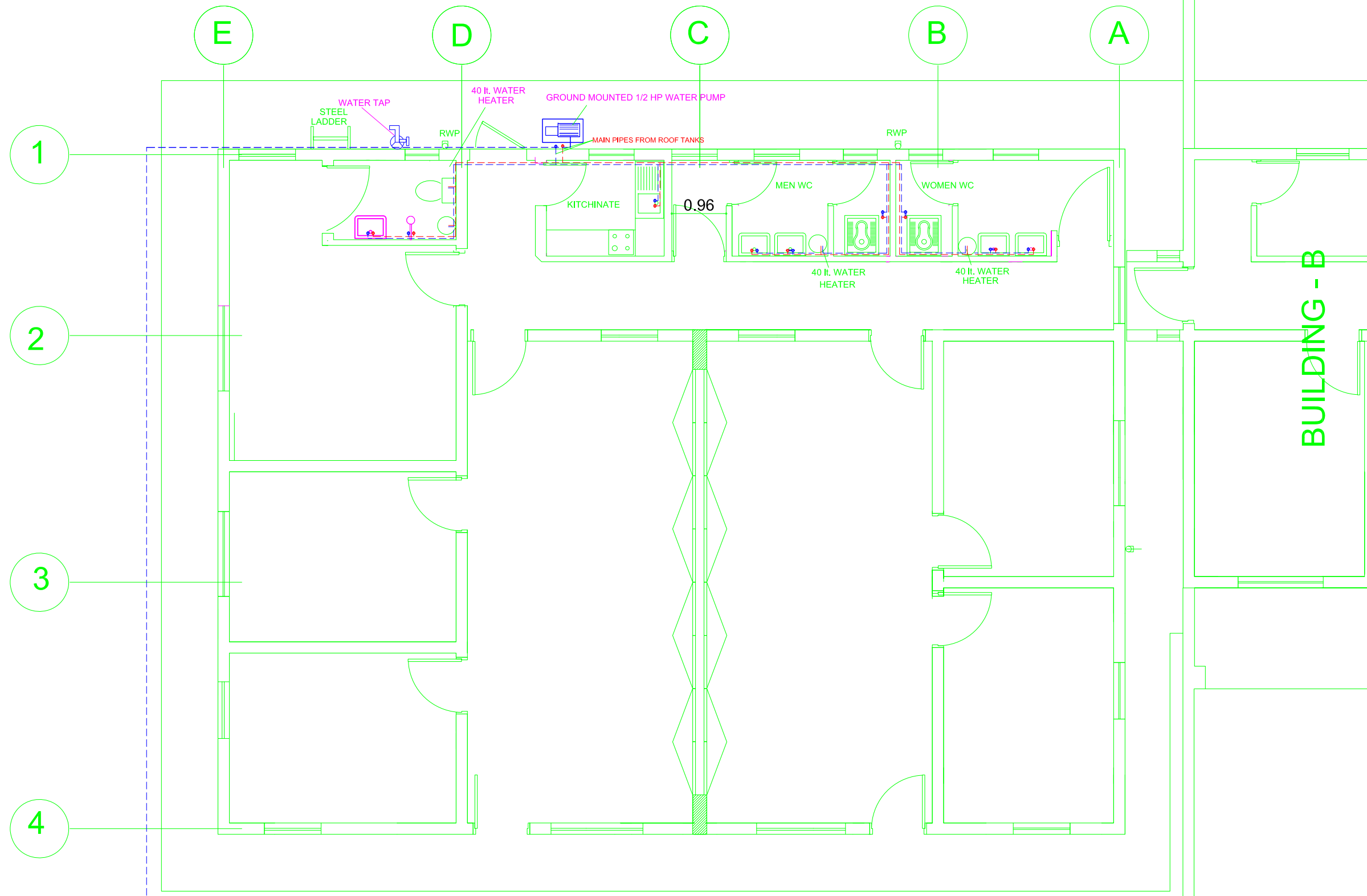
NO.	DATE	DESCRIPTION

PROJECT TITLE
NEW COMMUNITY POLICING BUILDING
BASRA CPO/RGC BUILDING

DRAWING TITLE
SANITARY FITTINGS LAYOUT
BUILDING - A

PROJECT ARCHITECT
RAAD HAMMODAT

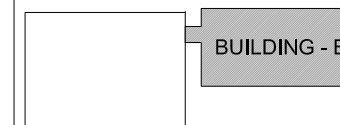
DRAWING NO.
IOMCPIQGOV-SA-03





IOM IRAQ
CP PROGRAM

seq	DRAWING NO.	DRAWING NAME
	BUILDING - B	
	<u>ARCHITECTURAL DRAWINGS</u>	
26	IOMCPIQGOV-ARB01	ARCHITECTURAL BASIC DESIGN- GROUND FLOOR PLAN
27	IOMCPIQGOV-ARB02	DETAILED GROUND FLOOR PLAN
28	IOMCPIQGOV-ARB03	SECTIONS
29	IOMCPIQGOV-ARB04	FRONT & BACK ELEVATIONS
30	IOMCPIQGOV-ARB05	RIGHT & LEFT ELEVATIONS
31	IOMCPIQGOV-ARB06	ROOF PLAN
32	IOMCPIQGOV-ARB07	DOORS & WINDOWS SCHEDULE
33	IOMCPIQGOV-ARB08	FINISHES SCHEDULE
34	IOMCPIQGOV-ARB09	EXPANSION JOINT ROOF DETAIL
35	IOMCPIQGOV-ARB10	EXPANSION JOINT FLOOR DETAIL
36	IOMCPIQGOV-ARB11	CHILDREN TOYS LAYOUT
	<u>STRUCTURAL DRAWINGS</u>	
37	IOMCPIQGOV-STB01	FOUNDATION DETAILED REINFORCEMENT
38	IOMCPIQGOV-STB02	STRUCTURAL ROOF REINFORCEMENT
39	IOMCPIQGOV-STB03	STRUCTURAL DETAILS REINFORCEMENT
	<u>ELECTRICAL DRAWINGS</u>	
40	IOMCPIQGOV-ELB01	ELECTRICAL EQUIPMENT & FITTINGS
41	IOMCPIQGOV-MEB01	AC SPLIT UNITS LAYOUT
	<u>SANITARY DRAWINGS</u>	
42	IOMCPIQGOV-SAB01	SEWAGE NETWORK & SEPTIC TANK
43	IOMCPIQGOV-SAB02	WATER TANKS
44	IOMCPIQGOV-SAB03	SANITARY FITTINGS LAYOUT



KEY PLAN

GENERAL NOTE:
THIS DRAWING IS THE COPYRIGHT OF IOM CP PROGRAM - IRAQ, & IT IS NOT ALLOWED TO COPY OR REPRODUCE ITS CONNECTION ANY FORM EXCEPT FOR THE PURPOSE WHICH IT IS INTENDED WITHOUT THE ABOVE CONSULTANTS AUTHORITY NOT SCALE THIS DRAWING ONLY STATED DIVISIONS ARE TO BE CONSIDERED.

NO.	DATE	DESCRIPTION

PROJECT TITLE
NEW COMMUNITY POLICING BUILDING
BASRA CPO/RGC BUILDING

DRAWING TITLE
TITLE SHEET 02

PROJECT ARCHITECT
RAAD HAMMODAT

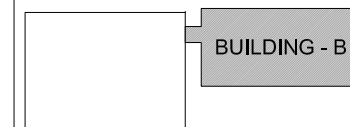
DRAWING NO.
IOMCPIQGOV-G-02-B



IOM IRAQ
CP PROGRAM

BUILDING - B

ARCHITECTURAL DRAWINGS



KEY PLAN

GENERAL NOTE:
THIS DRAWING IS THE COPYRIGHT OF IOM CP PROGRAM - IRAQ, & IT IS NOT ALLOWED TO COPY OR REPRODUCE ITS CONNECTION ANY FORM EXCEPT FOR THE PURPOSE WHICH IT IS INTENDED WITHOUT THE ABOVE CONSULTANTS AUTHORITY NOT SCALE THIS DRAWING ONLY STATED DIVISIONS ARE TO BE CONSIDERED.

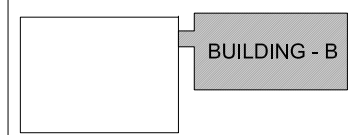
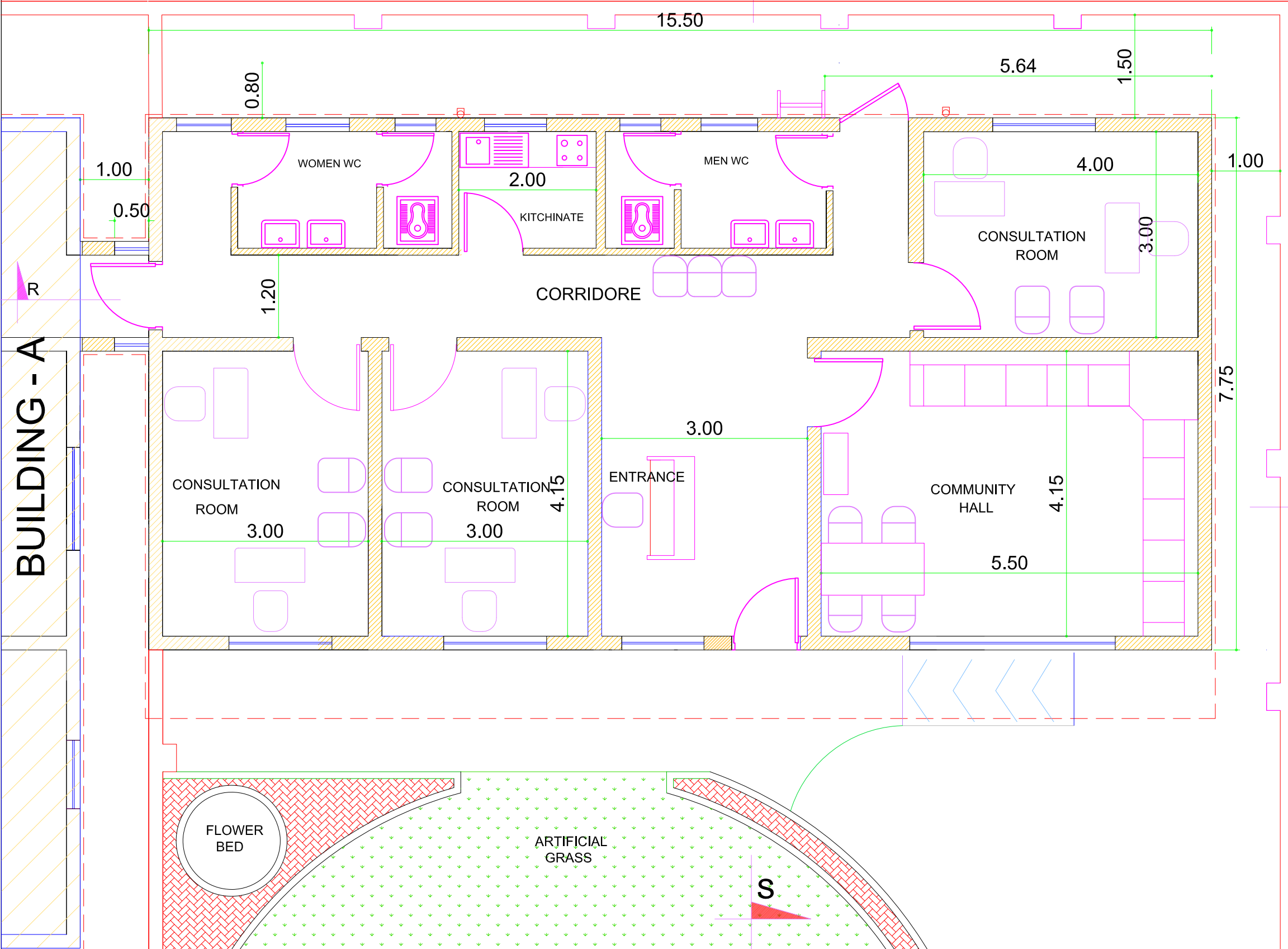
NO.	DATE	DESCRIPTION

PROJECT TITLE
NEW COMMUNITY POLICING BUILDING
BASRA CPO/RGC BUILDING

DRAWING TITLE

PROJECT ARCHITECT
RAAD HAMMODAT

DRAWING NO.



KEY PLAN

GENERAL NOTE:
THIS DRAWING IS THE COPYRIGHT OF IOM CP PROGRAM - IRAQ, & IT IS NOT ALLOWED TO COPY OR REPRODUCE IT'S CONNECTION ANY FORM EXCEPT FOR THE PURPOSE WHICH IT IS INTENDED WITHOUT THE ABOVE CONSULTANTS AUTHORITY NOT SCALE THIS DRAWING ONLY STATED DIVISIONS ARE TO BE CONSIDERED.

NO.	DATE	DESCRIPTION

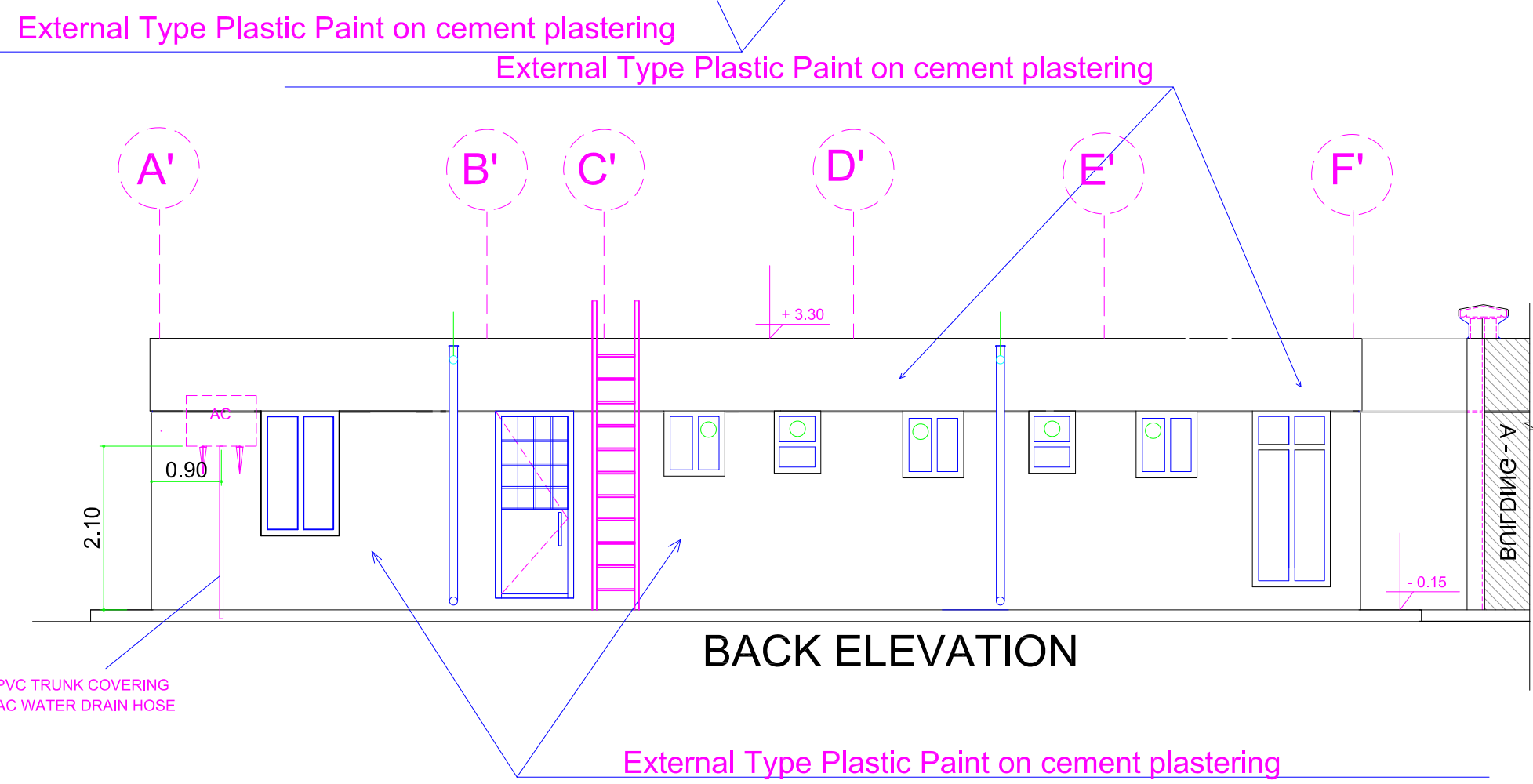
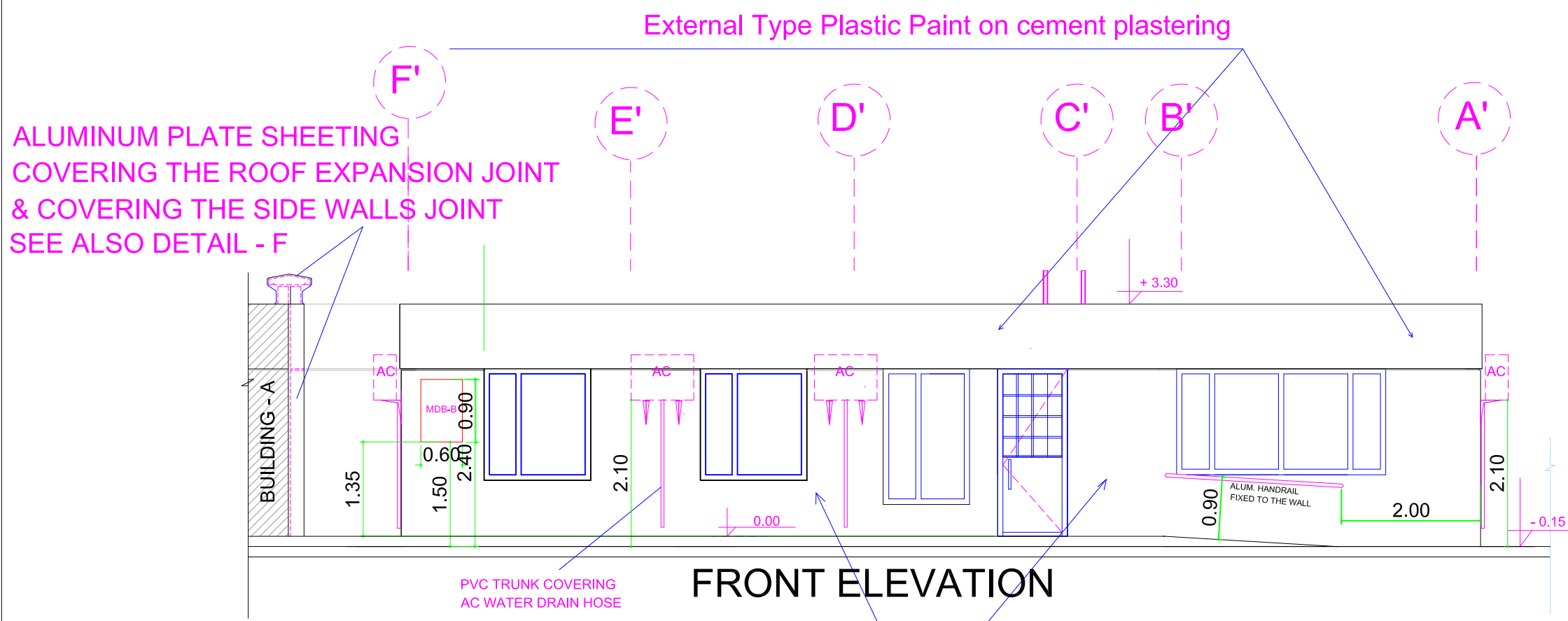
PROJECT TITLE
**NEW COMMUNITY POLICING BUILDING
BASRA CPO/RGC BUILDING**

DRAWING TITLE
**ARCHITECTURAL BASIC DESIGN
GROUND FLOOR PLAN
BUILDING - B**

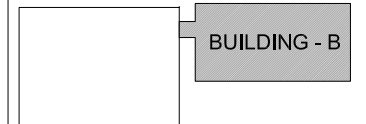
PROJECT ARCHITECT
RAAD HAMMODAT

DESIGNED BY
RAAD HAMMODAT

DRAWING NO. **IOMCPIQGOV-ARB01**



Project Title:



KEY PLAN

GENERAL NOTE:
THIS DRAWING IS THE COPYRIGHT OF IOM CP PROGRAM - IRAQ, & IT IS NOT ALLOWED TO COPY OR REPRODUCE ITS CONNECTION ANY FORM EXCEPT FOR THE PURPOSE WHICH IT IS INTENDED WITHOUT THE ABOVE CONSULTANTS AUTHORITY NOT SCALE THIS DRAWING ONLY STATED DIVISIONS ARE TO BE CONSIDERED.

NO.	DATE	DESCRIPTION

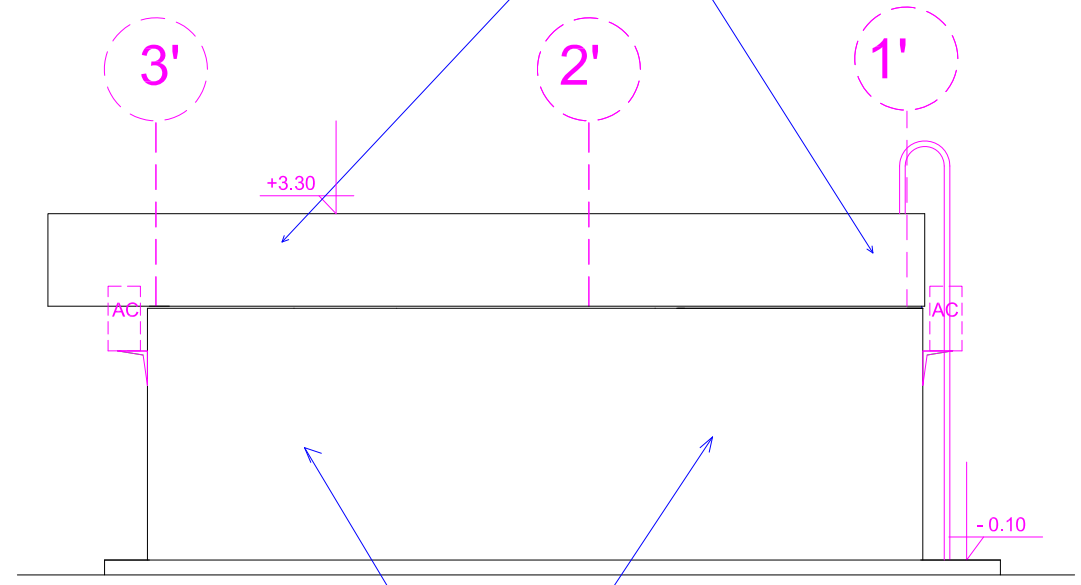
PROJECT TITLE
NEW COMMUNITY POLICING BUILDING
BASRA CPO/RGC BUILDING

DRAWING TITLE
FRONT & BACK ELEVATIONS

PROJECT ARCHITECT
RAAD HAMMODAT

DRAWING NO.
IOMCPIQGOV-ARB04

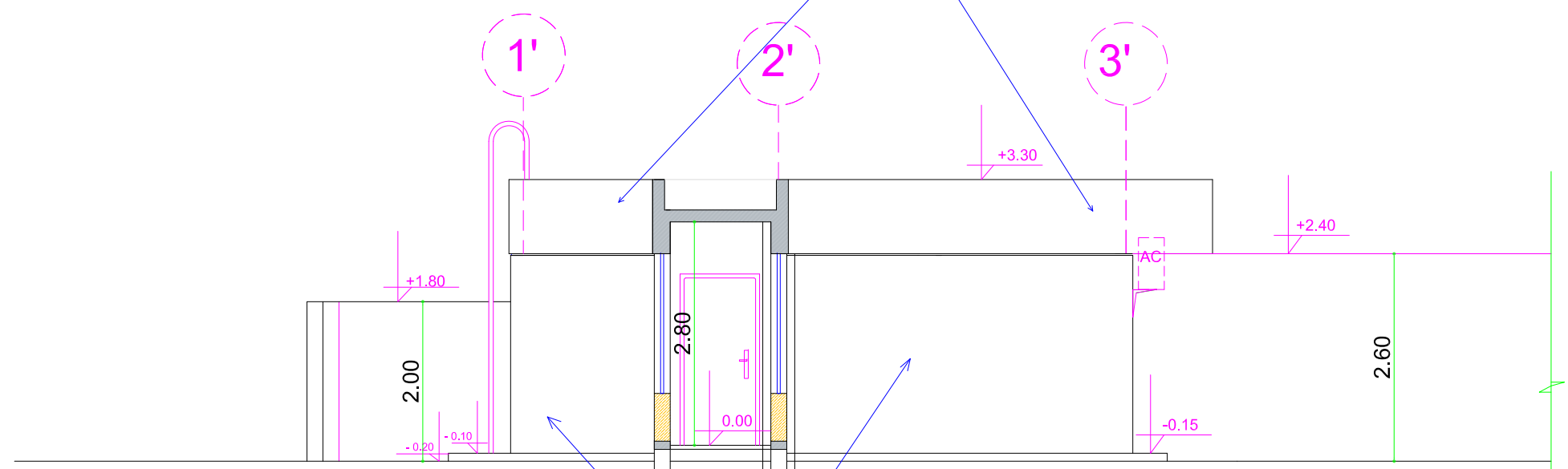
External Type Plastic Paint on cement plastering



LEFT SIDE ELEVATION

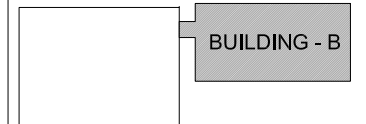
External Type Plastic Paint on cement plastering

External Type Plastic Paint on cement plastering



RIGHT SIDE SECTIONAL ELEVATION

External Type Plastic Paint on cement plastering



KEY PLAN

GENERAL NOTE:
THIS DRAWING IS THE COPYRIGHT OF IOM CP PROGRAM - IRAQ, & IT IS NOT ALLOWED TO COPY OR REPRODUCE ITS CONNECTION ANY FORM EXCEPT FOR THE PURPOSE WHICH IT IS INTENDED WITHOUT THE ABOVE CONSULTANTS AUTHORITY NOT SCALE THIS DRAWING ONLY STATED DIVISIONS ARE TO BE CONSIDERED.

NO.	DATE	DESCRIPTION

PROJECT TITLE
NEW COMMUNITY POLICING BUILDING
BASRA CPO/RGC BUILDING

DRAWING TITLE
RIGHT & LEFT ELEVATIONS

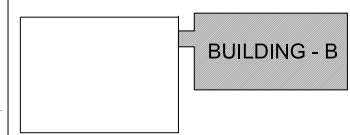
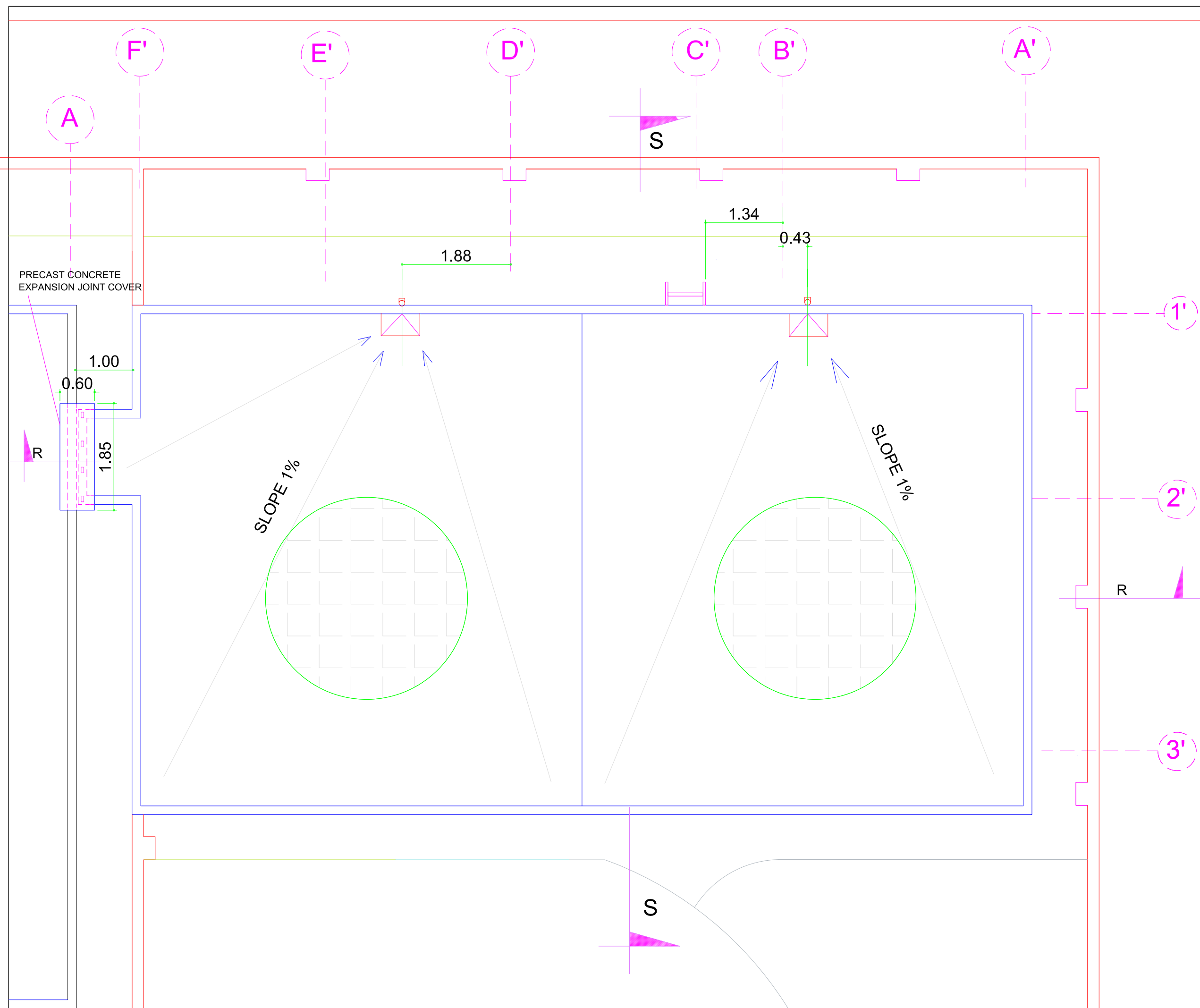
PROJECT ARCHITECT
RAAD HAMMODAT

DESIGNED BY _____ DRAWN BY _____

DRAWING NO.
IOMCPIQGOV-ARB05



IOM IRAQ
CP PROGRAM



KEY PLAN

GENERAL NOTE:
THIS DRAWING IS THE COPYRIGHT OF IOM CP PROGRAM - IRAQ, & IT IS NOT ALLOWED TO COPY OR REPRODUCE IT'S CONNECTION ANY FORM EXCEPT FOR THE PURPOSE WHICH IT IS INTENDED WITHOUT THE ABOVE CONSULTANTS AUTHORITY NOT SCALE THIS DRAWING ONLY STATED DIVISIONS ARE TO BE CONSIDERED.

NO.	DATE	DESCRIPTION

PROJECT TITLE
NEW COMMUNITY POLICING BUILDING
BASRA CPO/RGC BUILDING

DRAWING TITLE
ROOF PLAN

PROJECT ARCHITECT
RAAD HAMMODAT

DRAWING NO.
IOMCPIQGOV-ARB06

DOUBLE PLATE (EACH 2mm THICK.)
OIL PAINT - SAME COLOR OF THE EXTERNAL WALL & FENCE

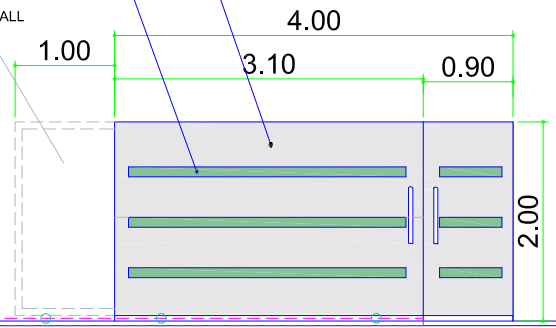
RECESSED SINGLE PLATE (2mm) PAINTED WITH
OIL PAINT - SAME COLOR OF THE PARAPET

DOOR PART BEHIND THE WALL

STEEL RAIL EMBEDDED
IN CONCRETE FLOOR

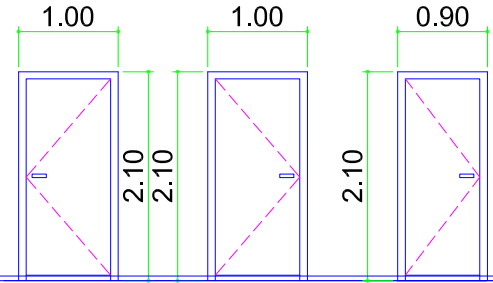
SOLID ALUM. PANELS

BOTTOM PVC FRAME



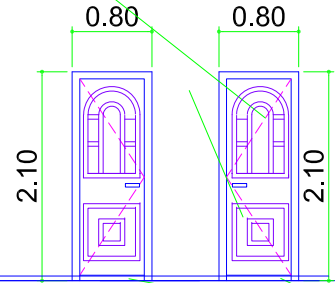
SD2
QTY. 1

MAT.: STEEL SLIDING DOOR
DETAILED DESIGN TO BE SUBMITTED
BY CONTRACTOR FOR IOM APPROVAL



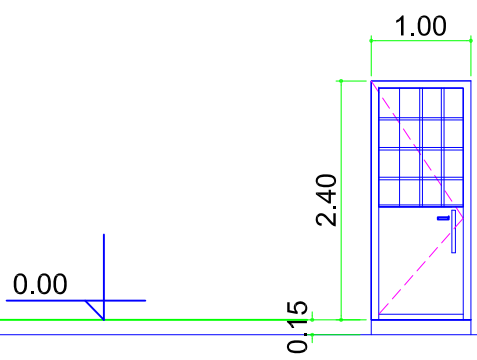
D1 QTY. 2
D2 QTY. 3
D3 QTY. 1

SPECIFICATIONS FOR D1, D2 & D3:
WOODEN DOOR
TURKISH BRAND -READY MADE
WITH RUBBER DOOR STOPPER



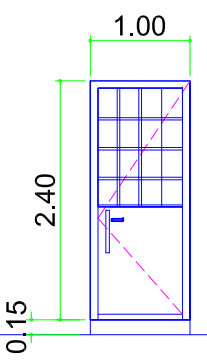
PD5 QTY. 2
PD4 QTY. 3

GENERAL SPECIF. FOR: PD4 & PD5:
MAT.: PVC FRAME & PANELS (STRENGTHENED WITH GALV. STEEL FRAME)
FOR BOTH DOOR & WINDOWS PANELS
COLOR OF FRAME & PANELS: WHITE
HYDRAULIC DAMPER FOR EACH DOOR.

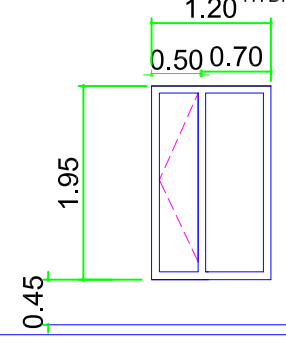


SD4
QTY. 1

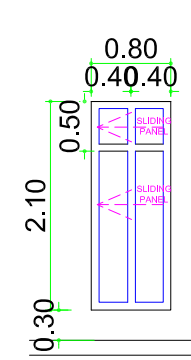
GENERAL SPECIF. FOR SD3 & SD4
MAT.: Shielded Steel door Turkish Brand
COLOR OF FRAME & PANELS: WHITE COLOR
DOOR LOCKS & HANDLES (AT BOTH SIDES OF THE DOOR)
WITH HYDROLIC DAMPER
GLASS TYPE: 5mm TEMPERED GLASS
STEEL PROTECTION SCREEN



SD3
QTY. 1

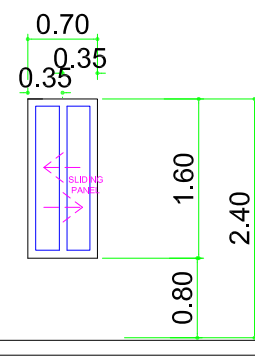


W8
QTY. 1



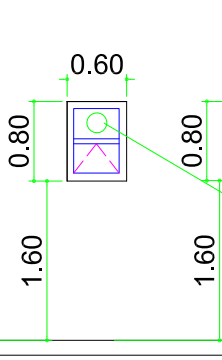
W3
QTY. 1

GENERAL SPECIF. FOR W3 (SLIDING TYPE PVC WINDOW):
MAT.: PVC FRAME & PANELS (STRENGTHENED WITH GALV. STEEL FRAME FROM INSIDE)
COLOR OF FRAME & PANELS: WHITE
TINTED (REFLECTED) CLEAR GLASS
FLY SCREEN MADE OF ALUMINUM (INSECT MESH)
HANDLES FOR WINDOW PANEL

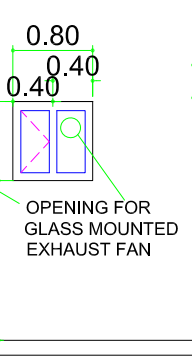


W1
QTY. 2

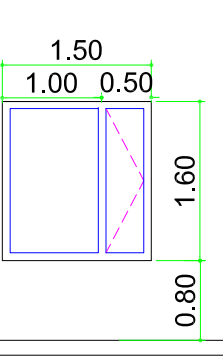
GENERAL SPECIF. FOR W4, W5 & W6
MAT.: PVC FRAME & PANELS (STRENGTHENED WITH STEEL FRAME FROM INSIDE)
COLOR OF FRAME & PANELS: WHITE
TRANSLUCENT REINFORCED GLASS
FLY SCREEN MADE OF ALUMINUM (INSECT MESH)
HANDLES FOR WINDOWS



W5
QTY. 2

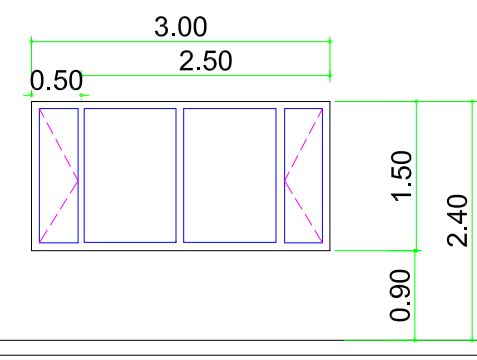


W4
QTY. 3

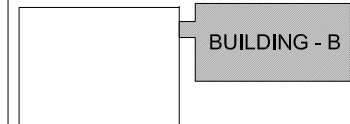


W10
QTY. 3

GENERAL SPECIF. FOR W1, W2
MAT.: PVC FRAME & PANELS (STRENGTHENED WITH GALV. STEEL FRAME FROM INSIDE)
FOR BOTH DOOR & WINDOWS PANELS
COLOR OF FRAME & PANELS: WHITE
TINTED (REFLECTED) CLEAR GLASS + DOORS LOCKS (& HANDLES FOR DOORS & WINDOWS)
FLY SCREEN MADE OF ALUMINUM (INSECT MESH)
DITTO WITH USING TRANSLUCENT REINFORCED GLASS



W9
QTY. 1



KEY PLAN

GENERAL NOTE:
THIS DRAWING IS THE COPYRIGHT OF IOM CP PROGRAM - IRAQ, & IT IS NOT ALLOWED TO COPY OR REPRODUCE ITS CONNECTION ANY FORM EXCEPT FOR THE PURPOSE WHICH IT IS INTENDED WITHOUT THE ABOVE CONSULTANTS AUTHORITY NOT SCALE THIS DRAWING ONLY STATED DIVISIONS ARE TO BE CONSIDERED.

NO.	DATE	DESCRIPTION

PROJECT TITLE

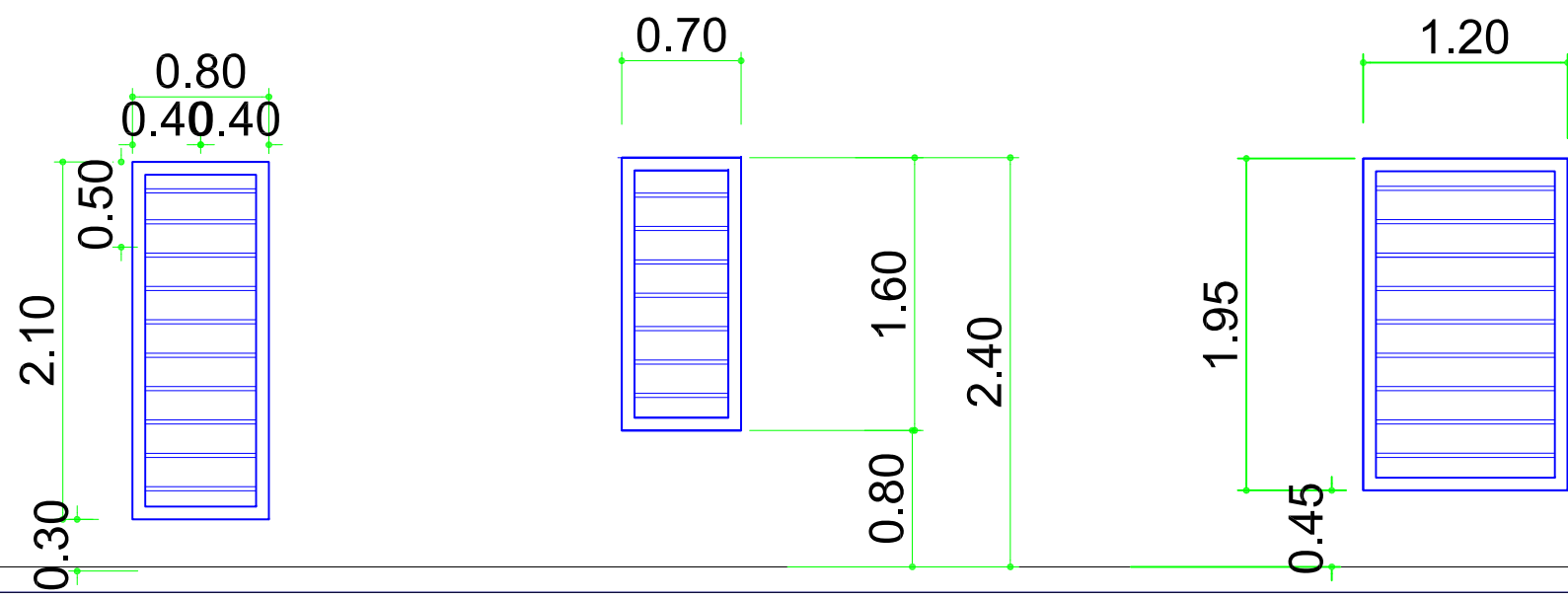
NEW COMMUNITY POLICING BUILDING
BASRA CPO/RGC BUILDING

DRAWING TITLE

DOORS & WINDOWS SCHEDULE

PROJECT ARCHITECT
RAAD HAMMODAT

DRAWING NO.
IOMCPIQGOV-ARB07



SW3
QTY. 1

SW1
QTY. 2

SW8
QTY. 1

EX. FANS

10cm VOID

PROTECTION
SCREEN

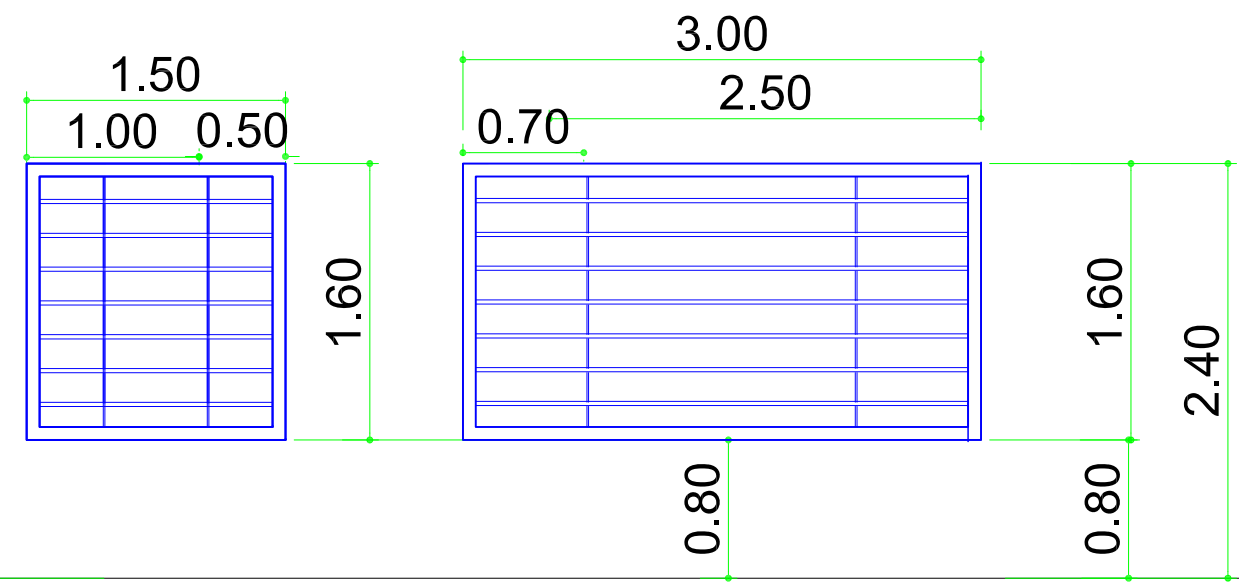
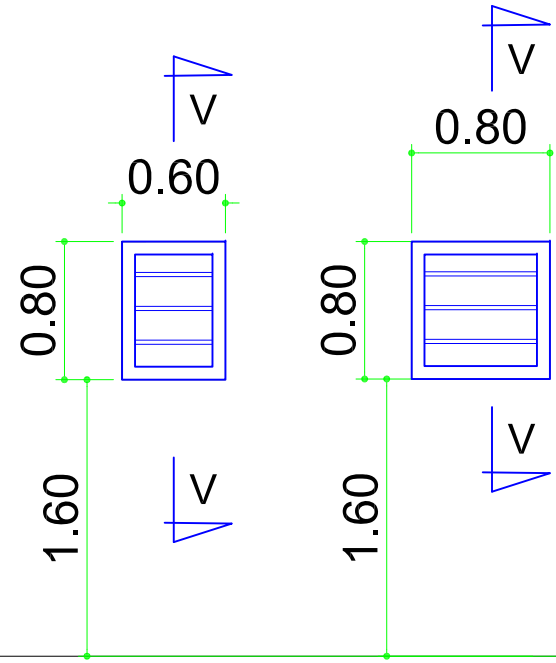
GENERAL SPECIF. FOR (WINDOW PROTECTION STEEL GRIDS):

MAT FOR FRAME.: 3"X3" STEEL ANGLES

MAT FOR SCREEN.: 25mm DIA. ROUNDED SMOOTH SECTION STEEL BARS EACH 20cm

COLOR OF FRAME & BARS: WHITE

ENLARGED
SEC. V-V

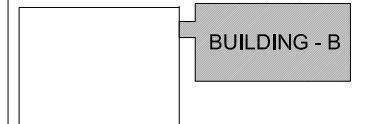


SW5
QTY. 2

SW4
QTY. 3

SW10
QTY. 3

SW9
QTY. 1



KEY PLAN

GENERAL NOTE:
THIS DRAWING IS THE COPYRIGHT OF IOM CP PROGRAM - IRAQ, & IT IS NOT ALLOWED TO COPY OR REPRODUCE ITS CONNECTION ANY FORM EXCEPT FOR THE PURPOSE WHICH IT IS INTENDED WITHOUT THE ABOVE CONSULTANTS AUTHORITY NOT SCALE THIS DRAWING ONLY STATED DIVISIONS ARE TO BE CONSIDERED.

NO.	DATE	DESCRIPTION

PROJECT TITLE
NEW COMMUNITY POLICING BUILDING
BASRA CPO/RGC BUILDING

DRAWING TITLE
STEEL PROTECTION GRIDS SCHEDULE

PROJECT ARCHITECT
RAAD HAMMODAT

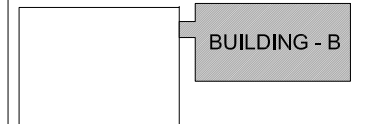
DRAWING NO.
IOMCPIQGOV-ARB07A

FINISHES SCHEDULE

ROOM NO.	ROOM NAME	FLOOR	SKIRTING	WALLS	CEILING
01	ENTRANCE ROOM	30 X 30 X 2.5 CM MOSAIC TILES	10 CM HEIGHT CERAMIC SKIRTING	GYPSUM PLASTERING	GYPSUM PLASTERING + PLASTIC PAINT
02	CONSULTATION ROOM	DITTO	DITTO	DITTO	DITTO
03	CONSULTATION ROOM	DITTO	DITTO	DITTO	DITTO
04	CONSULTATION ROOM	DITTO	DITTO	DITTO	DITTO
05	COMMUNITY HALL	DITTO	DITTO	DITTO	DITTO
06	INFORMATION & CORRIDOR	DITTO	DITTO	DITTO	DITTO ONLY FOR CORRIDOR (FOR INFORMATION AREA, USE FALSE CEILING PLASTIC TYPE).
07	KITCHINATE	DITTO	NIL	CERAMIC WALL TILES UP TO CEILING	FALSE CEILING PLASTIC TYPE
08	MEN BATHROOM	DITTO	NIL	CERAMIC WALL TILES UP TO CEILING	FALSE CEILING PLASTIC TYPE
09	MEN WC	DITTO	NIL	CERAMIC WALL TILES UP TO CEILING	FALSE CEILING PLASTIC TYPE
10	WOMEN BATHROOM	DITTO	NIL	CERAMIC WALL TILES UP TO CEILING	FALSE CEILING PLASTIC TYPE
11	WOMEN WC	DITTO	NIL	CERAMIC WALL TILES UP TO CEILING	FALSE CEILING PLASTIC TYPE



IOM IRAQ
CP PROGRAM



KEY PLAN

GENERAL NOTE:

THIS DRAWING IS THE COPYRIGHT OF IOM CP PROGRAM - IRAQ, & IT IS NOT ALLOWED TO COPY OR REPRODUCE IT'S CONNECTION ANY FORM EXCEPT FOR THE PURPOSE WHICH IT IS INTENDED WITHOUT THE ABOVE CONSULTANTS AUTHORITY NOT SCALE THIS DRAWING ONLY STATED DIVISIONS ARE TO BE CONSIDERED.

NO.	DATE	DESCRIPTION

PROJECT TITLE

NEW COMMUNITY POLICING BUILDING
BASRA CPO/RGC BUILDING

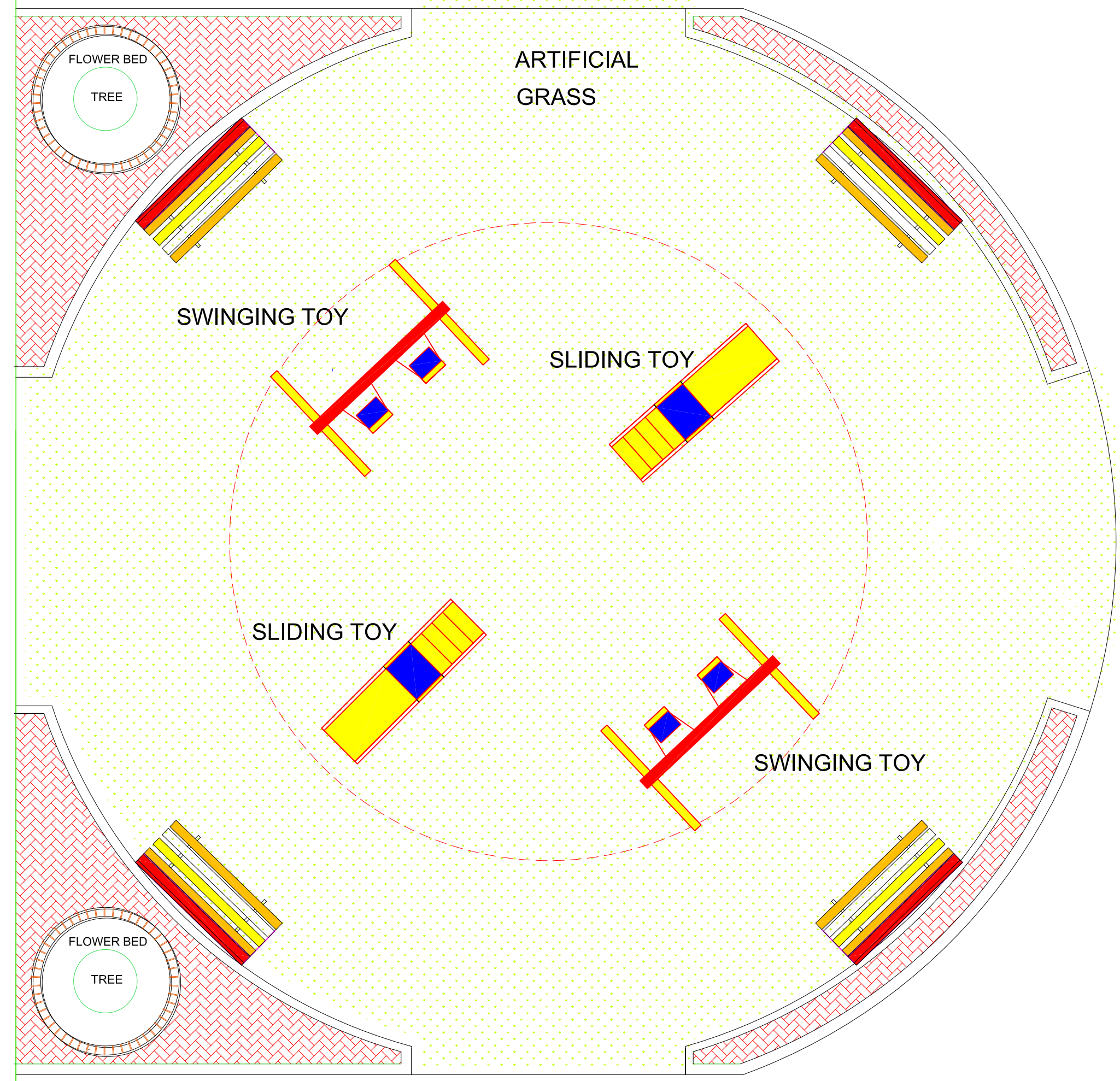
DRAWING TITLE

FINISHES SCHEDULE

PROJECT ARCHITECT
RAAD HAMMODAT

DRAWING NO.

IOMCPIQGOV-ARB08



BUILDING - B

GENERAL NOTE:
THIS DRAWING IS THE COPYRIGHT OF IOM CP PROGRAM - IRAQ, & IT IS NOT ALLOWED TO COPY OR REPRODUCE ITS CONNECTION ANY FORM EXCEPT FOR THE PURPOSE WHICH IT IS INTENDED WITHOUT THE ABOVE CONSULTANTS AUTHORITY NOT SCALE THIS DRAWING ONLY STATED DIVISIONS ARE TO BE CONSIDERED.

NO.	DATE	DESCRIPTION

PROJECT TITLE
NEW COMMUNITY POLICING BUILDING
BASRA CPO/RGC BUILDING

DRAWING TITLE
CHILDREN TOYS LAYOUT

PROJECT ARCHITECT
RAAD HAMMODAT

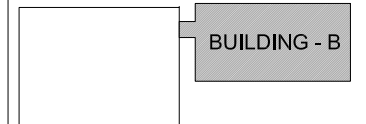
DRAWING NO. IOMCPIQGOV-ARB11



IOM IRAQ
CP PROGRAM

BUILDING - B

STRUCTURAL DRAWINGS



KEY PLAN

GENERAL NOTE:
THIS DRAWING IS THE COPYRIGHT OF IOM CP PROGRAM - IRAQ, & IT IS NOT ALLOWED TO COPY OR REPRODUCE IT'S CONNECTION ANY FORM EXCEPT FOR THE PURPOSE WHICH IT IS INTENDED WITHOUT THE ABOVE CONSULTANTS AUTHORITY NOT SCALE THIS DRAWING ONLY STATED DIVISIONS ARE TO BE CONSIDERED.

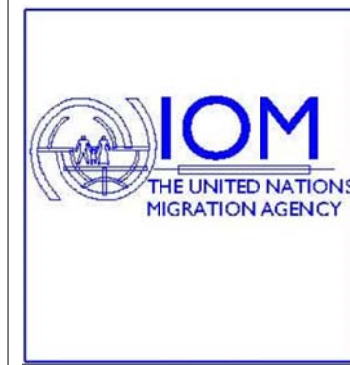
NO.	DATE	DESCRIPTION

PROJECT TITLE
NEW COMMUNITY POLICING BUILDING
BASRA CPO/RGC BUILDING

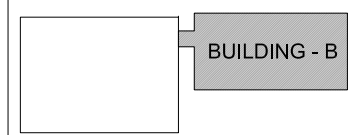
DRAWING TITLE

PROJECT ARCHITECT
RAAD HAMMODAT

DRAWING NO.



IOM IRAQ
CP PROGRAM



KEY PLAN

GENERAL NOTE:
THIS DRAWING IS THE COPYRIGHT OF IOM CP PROGRAM - IRAQ, & IT IS NOT ALLOWED TO COPY OR REPRODUCE ITS CONNECTION ANY FORM EXCEPT FOR THE PURPOSE WHICH IT IS INTENDED WITHOUT THE ABOVE CONSULTANTS AUTHORITY NOT SCALE THIS DRAWING ONLY STATED DIVISIONS ARE TO BE CONSIDERED.

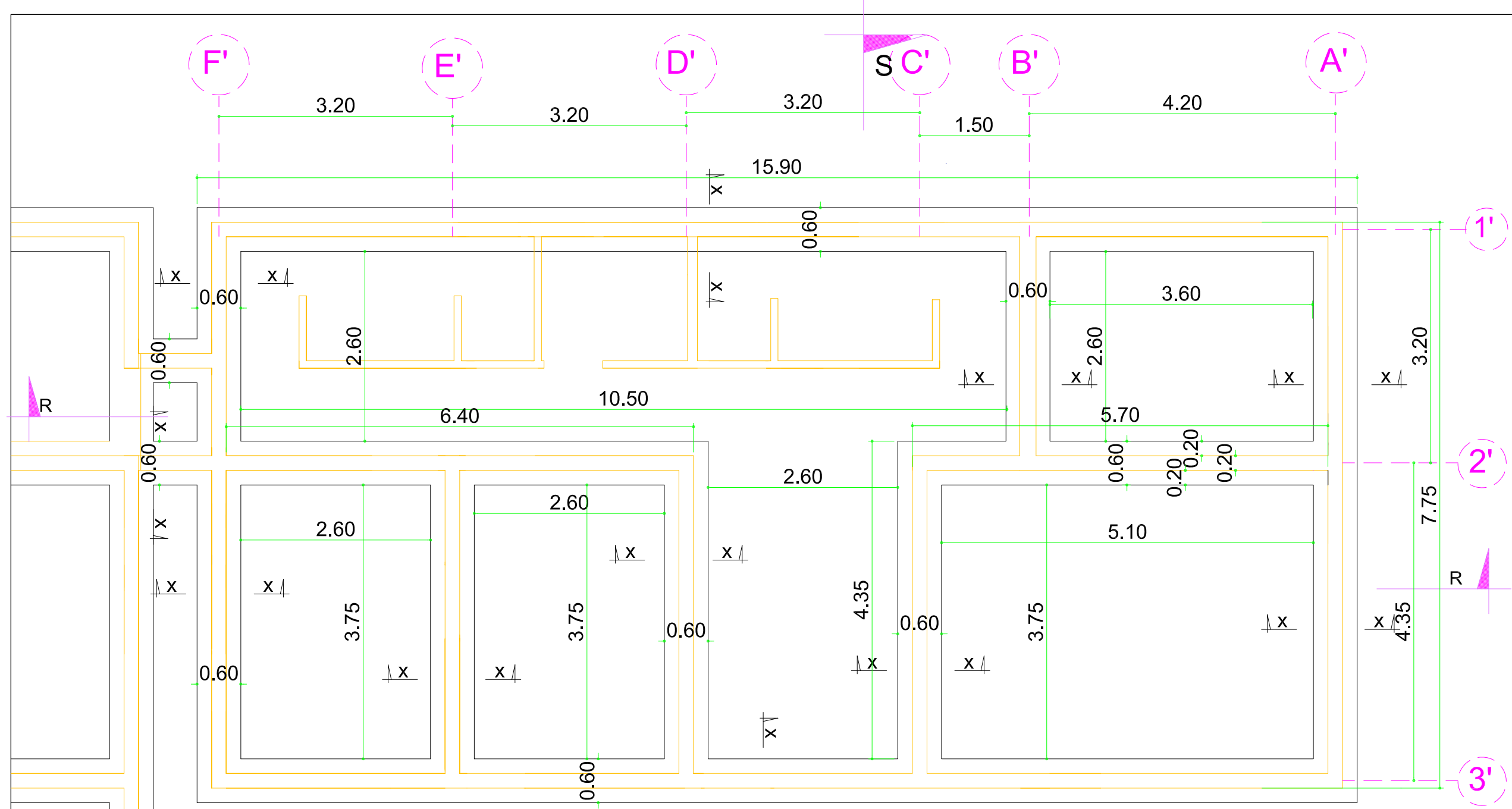
NO.	DATE	DESCRIPTION

PROJECT TITLE
NEW COMMUNITY POLICING BUILDING
BASRA CPO/RGC BUILDING

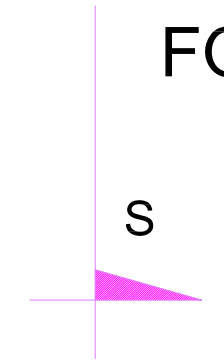
DRAWING TITLE
FOUNDATION DETAILED REINFORCEMENT

PROJECT ARCHITECT
RAAD HAMMODAT

DRAWING NO.
IOMCPIQGOV-ARSTB01



FOUNDATION PLAN

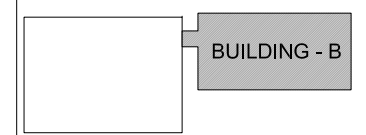


BLOCK WALL

5 φ 16 bottom & top

φ 12 @ 30

SECTION X-X
WALL STRIP FOUNDATION



KEY PLAN

GENERAL NOTE:
THIS DRAWING IS THE COPYRIGHT OF IOM CP PROGRAM - IRAQ, & IT IS NOT ALLOWED TO COPY OR REPRODUCE IT'S CONNECTION ANY FORM EXCEPT FOR THE PURPOSE WHICH IT IS INTENDED WITHOUT THE ABOVE CONSULTANTS AUTHORITY NOT SCALE THIS DRAWING ONLY STATED DIVISIONS ARE TO BE CONSIDERED.

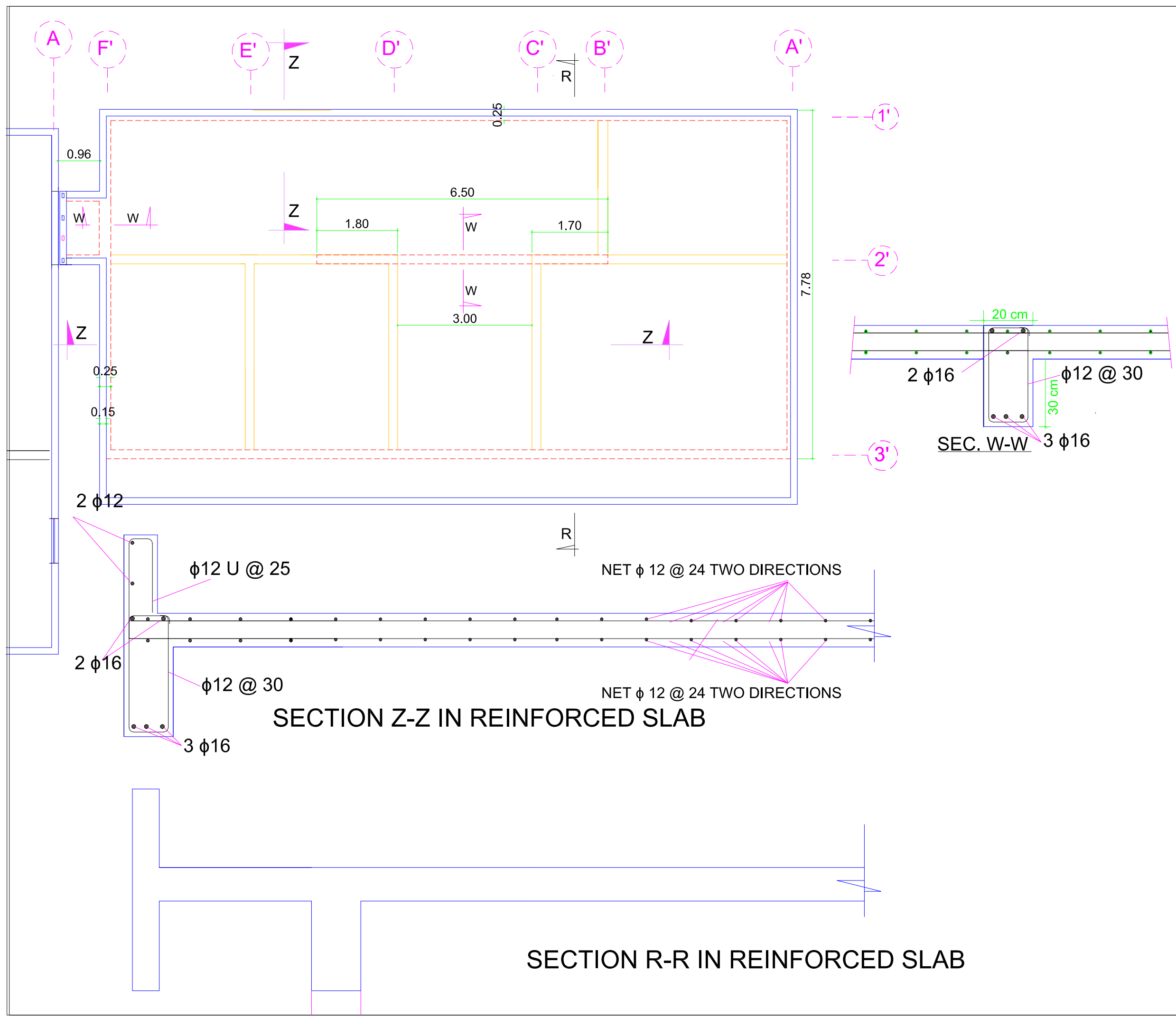
NO.	DATE	DESCRIPTION

PROJECT TITLE
NEW COMMUNITY POLICING BUILDING
BASRA CPO/RGC BUILDING

DRAWING TITLE
STRUCTURAL ROOF REINFORCEMENT

PROJECT ARCHITECT
RAAD HAMMO DAT

DRAWING NO.
IOMCPIQGOV-ARSTB02



SECTION Z-Z IN REINFORCED SLAB

SECTION R-R IN REINFORCED SLAB



IOM IRAQ
CP PROGRAM

STEEL SHEDS DRAWINGS

GENERAL NOTE:

THIS DRAWING IS THE COPYRIGHT OF IOM CP PROGRAM - IRAQ, & IT IS NOT ALLOWED TO COPY OR REPRODUCE IT'S CONNECTION ANY FORM EXCEPT FOR THE PURPOSE WHICH IT IS INTENDED WITHOUT THE ABOVE CONSULTANTS AUTHORITY NOT SCALE THIS DRAWING ONLY STATED DIVISIONS ARE TO BE CONSIDERED.

NO.	DATE	DESCRIPTION
-----	------	-------------

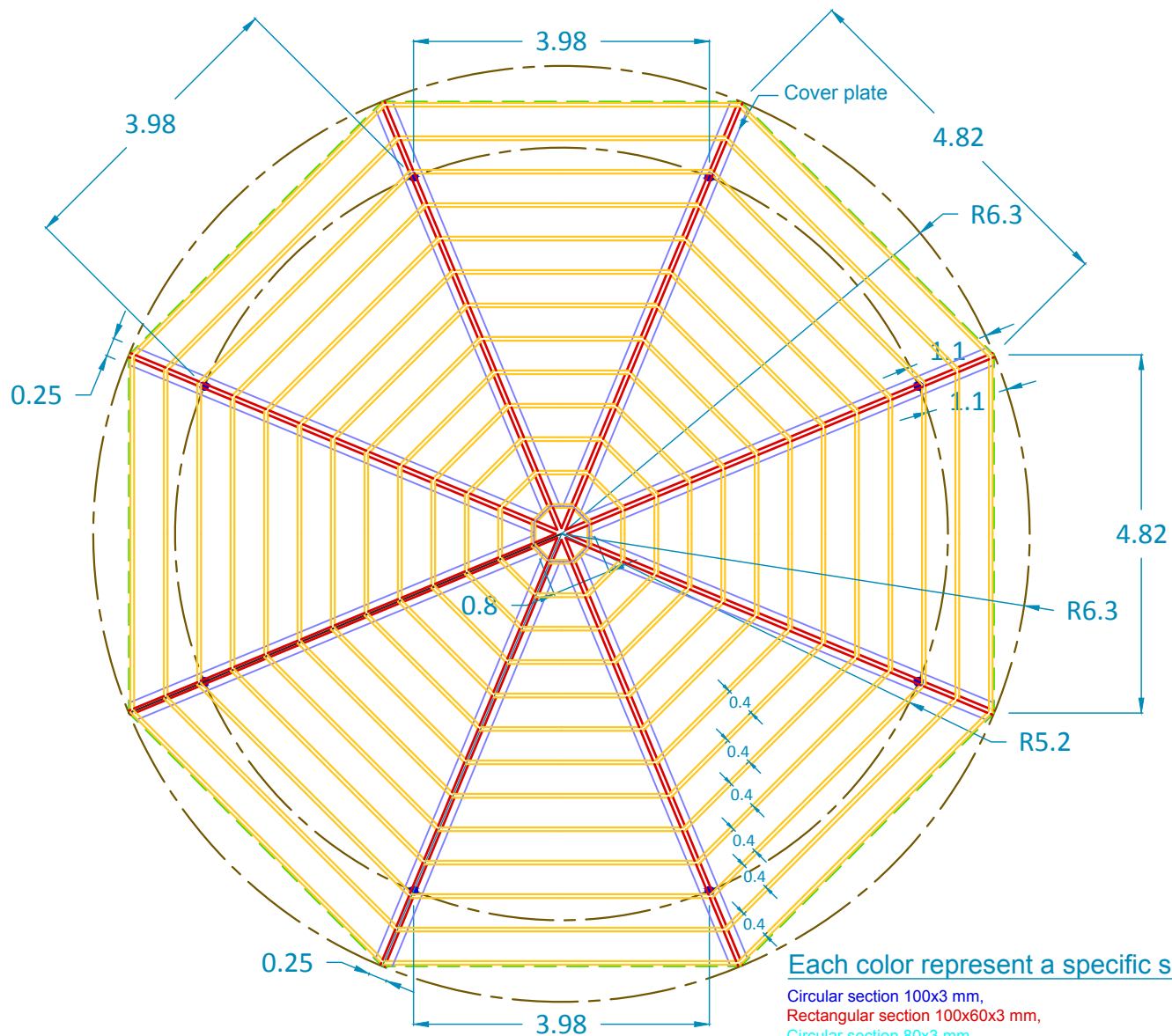
PROJECT TITLE

NEW COMMUNITY POLICING BUILDING
BASRA CPO/RGC BUILDING

DRAWING TITLE

PROJECT ARCHITECT
RAAD HAMMODAT

DRAWING NO.



TOP VIEW

Each color represent a specific size of steel section

- Circular section 100x3 mm,
- Rectangular section 100x60x3 mm,
- Circular section 80x3 mm,
- Square section 50x50x2 mm,
- Circular section 25x2 mm,
- Galvanic plate (roof tiles) 1 mm thickness
- Cover plate 1 mm thickness

KEY PLAN

GENERAL NOTE:
THIS DRAWING IS THE COPYRIGHT OF IOM CP PROGRAM - IRAQ, & IT IS NOT ALLOWED TO COPY OR REPRODUCE IT'S CONNECTION ANY FORM EXCEPT FOR THE PURPOSE WHICH IT IS INTENDED WITHOUT THE ABOVE CONSULTANTS AUTHORITY NOT SCALE THIS DRAWING ONLY STATED DIVISIONS ARE TO BE CONSIDERED.


NO.	DATE	DESCRIPTION

NEW COMMUNITY POLICING BUILDING
HADITHA CPO BUILDING - ANBAR GOV.

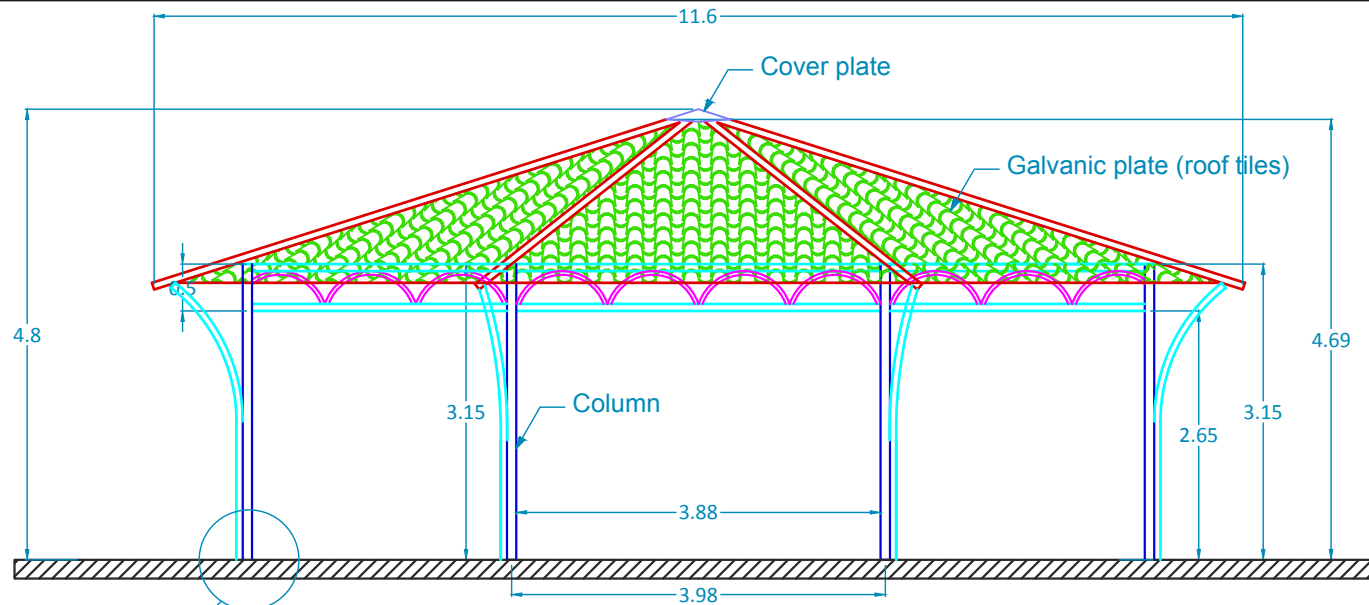
STEEL SHED FOR PLAY-YARD

PROJECT ARCHITECT
RAAD HAMMOUDAT

STRUCTURAL DESIGNER
ALI JIHAD

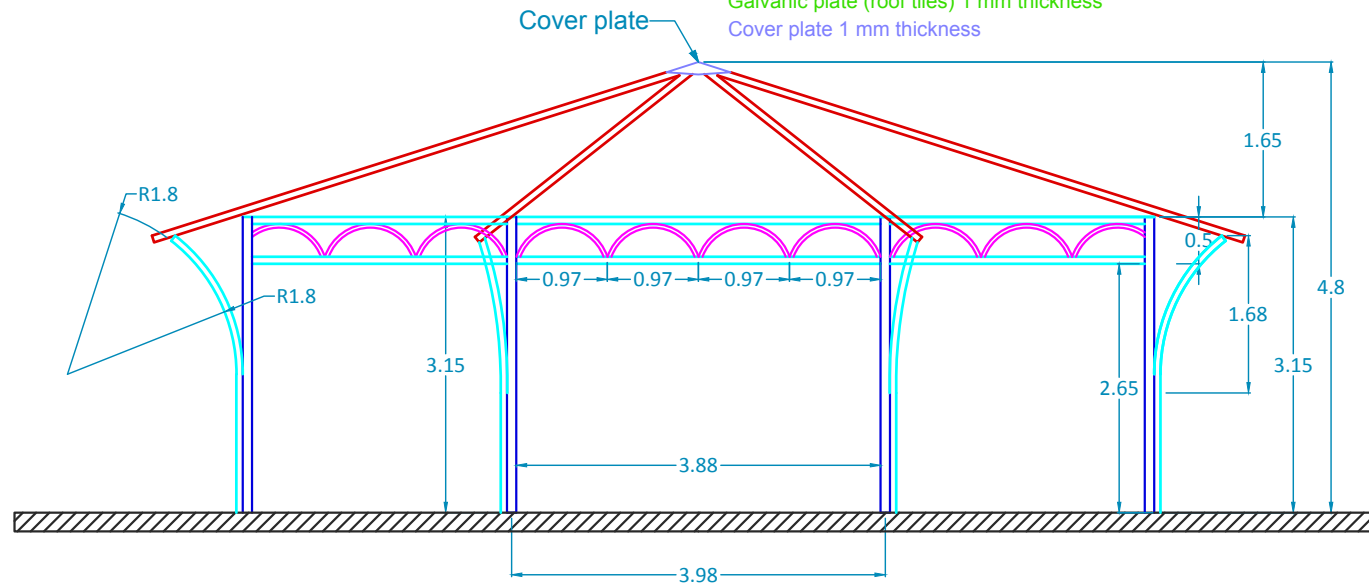
SIGNATURE


Iraq Engineers Union ID No: 152306



Each color represent a specific size of steel section

- Circular section 100x3 mm,
- Rectangular section 100x60x3 mm,
- Circular section 80x3 mm,
- Square section 50x50x2 mm,
- Circular section 25x2 mm,
- Galvanic plate (roof tiles) 1 mm thickness
- Cover plate 1 mm thickness



SIDE VIEW

KEY PLAN

GENERAL NOTE:
THIS DRAWING IS THE COPYRIGHT OF IOM CP PROGRAM - IRAQ, & IT IS NOT ALLOWED TO COPY OR REPRODUCE ITS CONNECTION ANY FORM EXCEPT FOR THE PURPOSE WHICH IT IS INTENDED WITHOUT THE ABOVE CONSULTANTS AUTHORITY NOT SCALE THIS DRAWING ONLY STATED DIVISIONS ARE TO BE CONSIDERED.

NO.	DATE	DESCRIPTION

NEW COMMUNITY POLICING BUILDING
HADITHA CPO BUILDING - ANBAR GOV.

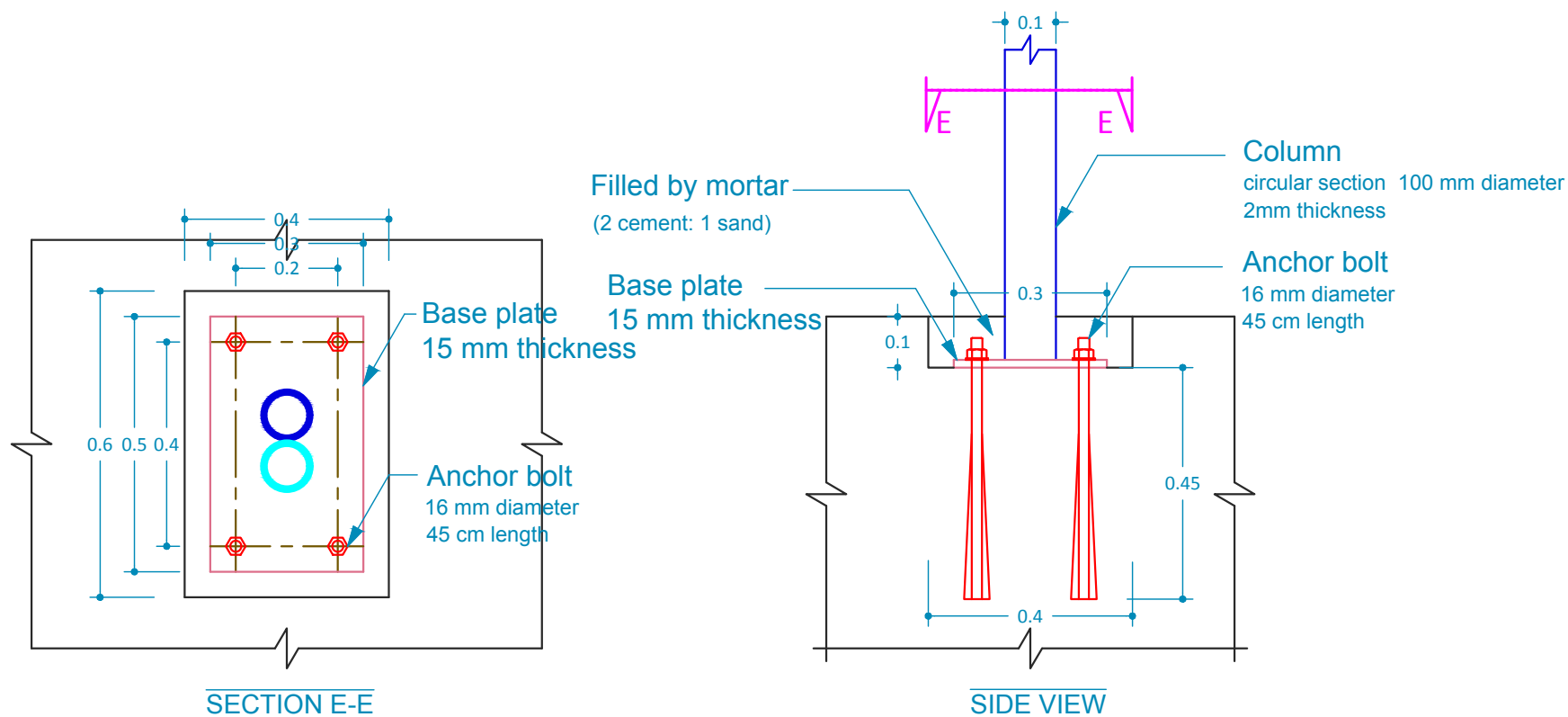
STEEL SHED FOR PLAY-YARD
SIDE VIEW

PROJECT ARCHITECT
RAAD HAMMOUDAT

STRUCTURAL DESIGNER
ALI JIHAD

SIGNATURE


Iraq Engineers Union ID No. : 152306



KEY PLAN

GENERAL NOTE:
THIS DRAWING IS THE COPYRIGHT OF IOM CP PROGRAM - IRAQ, & IT IS NOT ALLOWED TO COPY OR REPRODUCE ITS CONNECTION ANY FORM EXCEPT FOR THE PURPOSE WHICH IT IS INTENDED WITHOUT THE ABOVE CONSULTANTS AUTHORITY NOT SCALE THIS DRAWING ONLY STATED DIVISIONS ARE TO BE CONSIDERED.

NO.	DATE	DESCRIPTION

NEW COMMUNITY POLICING BUILDING
HADITHA CPO BUILDING - ANBAR GOV.

STEEL SHED FOR PLAY-YARD
DETAIL-A

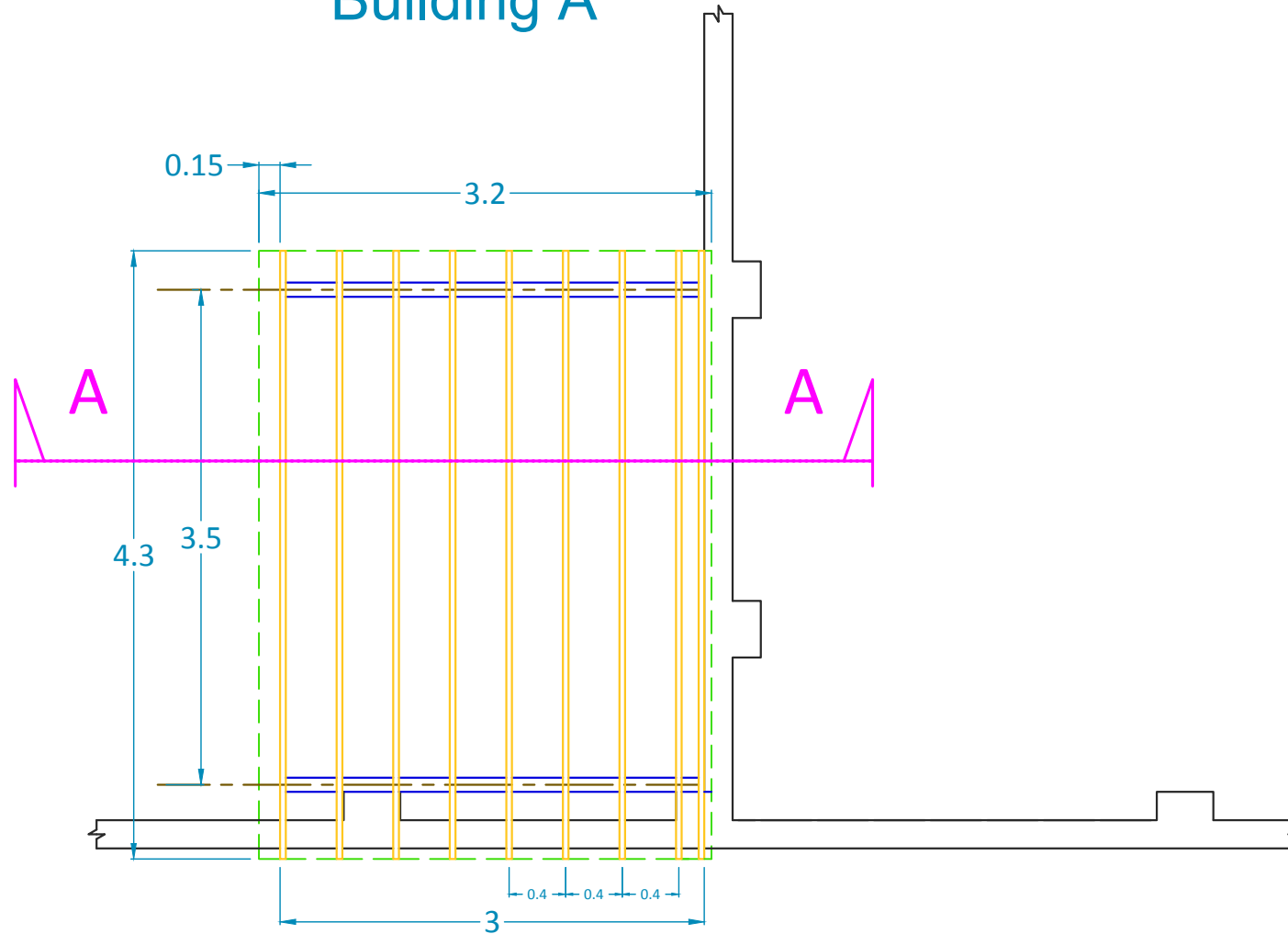
PROJECT ARCHITECT
RAAD HAMMOUDAT

STRUCTURAL DESIGNER
ALI JIHAD

SIGNATURE


Iraq Engineers Union ID No.: 152306

Building A



TOP VIEW

KEY PLAN

GENERAL NOTE:
THIS DRAWING IS THE COPYRIGHT OF IOM CP PROGRAM - IRAQ, & IT IS NOT ALLOWED TO COPY OR REPRODUCE ITS CONNECTION ANY FORM EXCEPT FOR THE PURPOSE WHICH IT IS INTENDED WITHOUT THE ABOVE CONSULTANTS AUTHORITY NOT SCALE THIS DRAWING ONLY STATED DIVISIONS ARE TO BE CONSIDERED.

NO.	DATE	DESCRIPTION

NEW COMMUNITY POLICING BUILDING
HADITHA CPO BUILDING - ANBAR GOV.

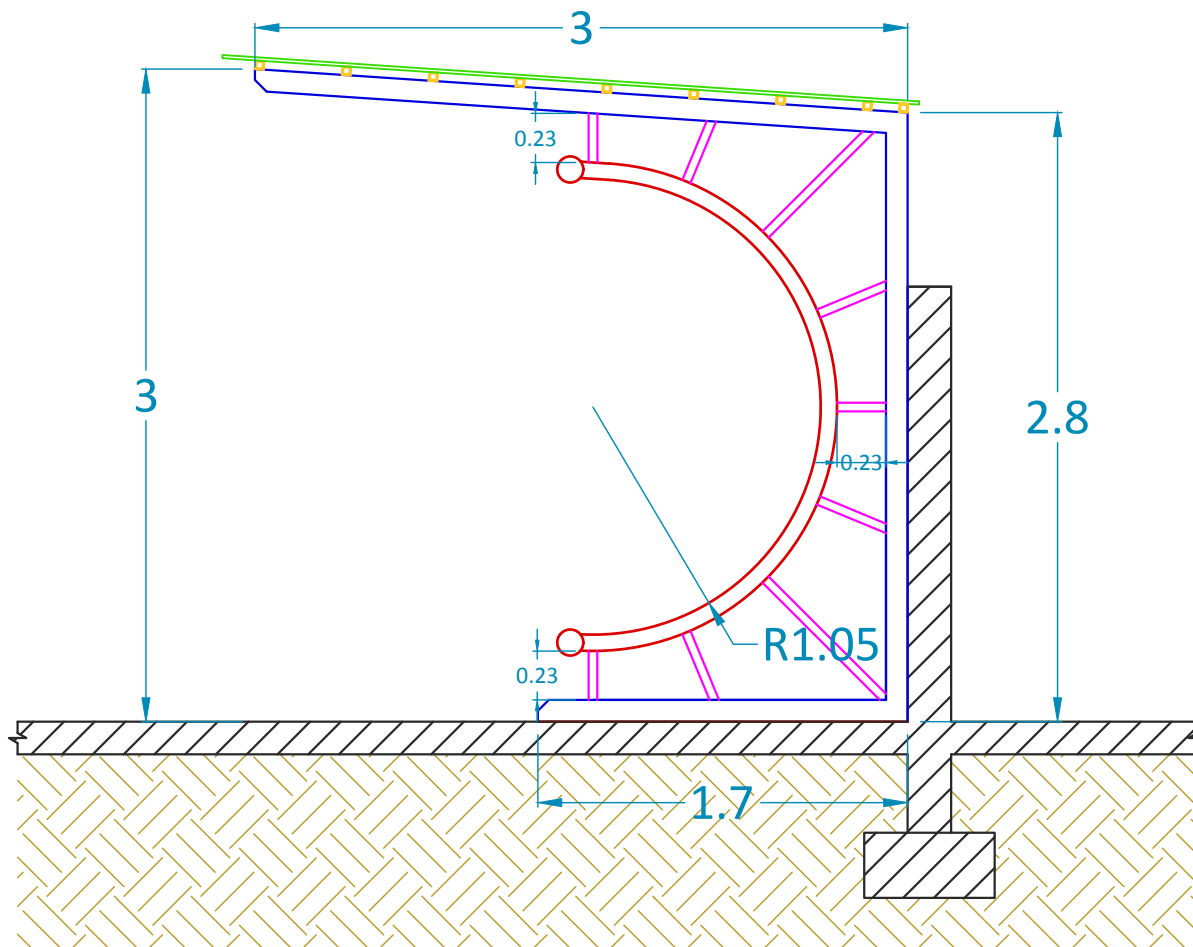
STEEL SHED FOR GENERATOR
TOP VIEW

PROJECT ARCHITECT
RAAD HAMMOUDAT

STRUCTURAL DESIGNER
ALI JIHAD

SIGNATURE


Iraq Engineers Union ID No: 152306



Each color represent a specific size of steel section

Circular section 100x3 mm,

Circular section 60x2 mm

Square section 50x50x2 mm,

Circular section 25x2 mm,

Galvanic plate (roof tiles) 1 mm thickness

Cover plate 1 mm thickness

SECTION A-A

KEY PLAN

GENERAL NOTE:

THIS DRAWING IS THE COPYRIGHT OF IOM CP PROGRAM - IRAQ, & IT IS NOT ALLOWED TO COPY OR REPRODUCE ITS CONNECTION ANY FORM EXCEPT FOR THE PURPOSE WHICH IT IS INTENDED WITHOUT THE ABOVE CONSULTANTS AUTHORITY NOT SCALE THIS DRAWING ONLY STATED DIVISIONS ARE TO BE CONSIDERED.

NO.	DATE	DESCRIPTION

NEW COMMUNITY POLICING BUILDING
HADITHA CPO BUILDING - ANBAR GOV.

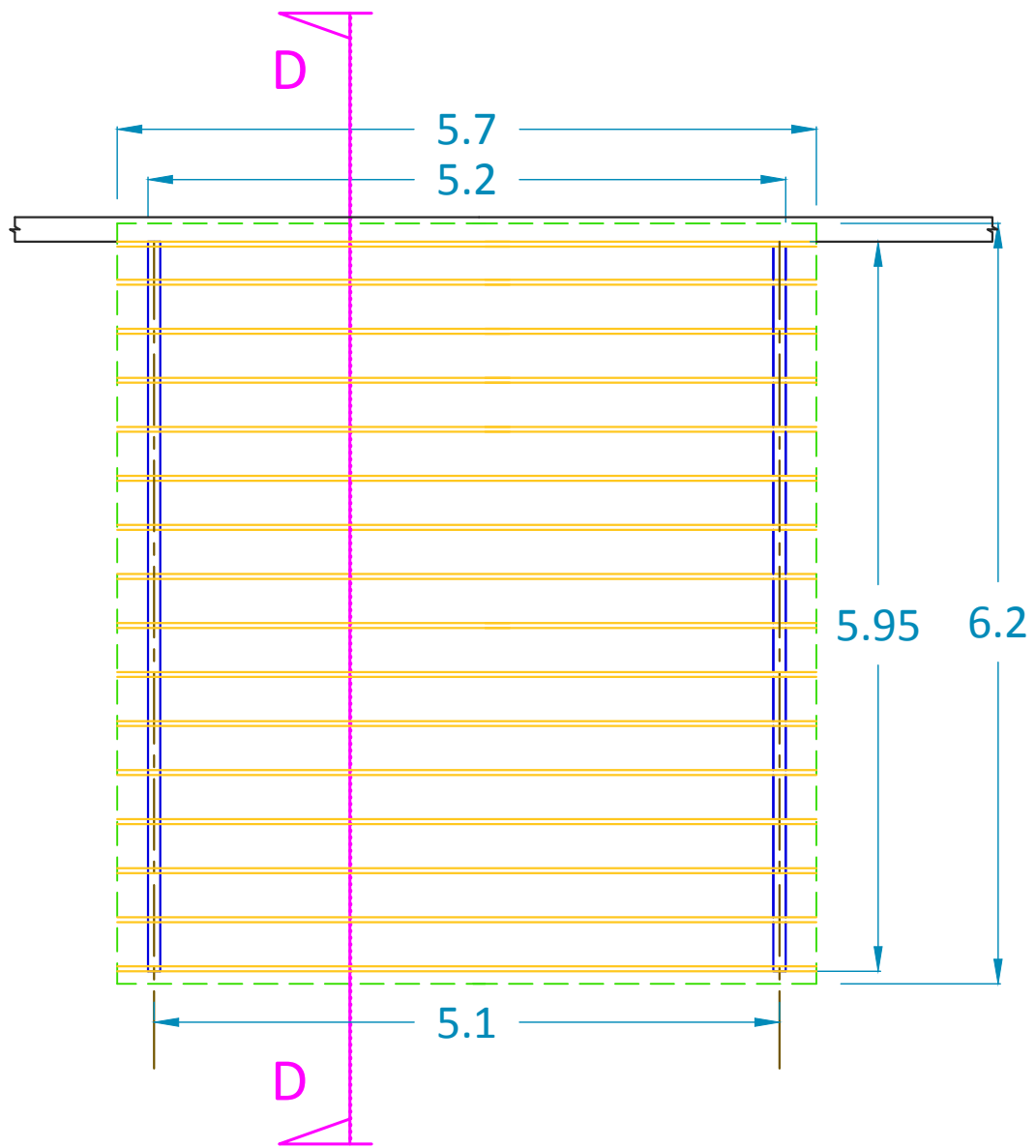
STEEL SHED FOR GENERATOR
SECTION A-A

PROJECT ARCHITECT
RAAD HAMMOUDAT

STRUCTURAL DESIGNER
ALI JIHAD

SIGNATURE


Iraq Engineers Union ID No.: 152306



TOP VIEW

KEY PLAN

GENERAL NOTE:
THIS DRAWING IS THE COPYRIGHT OF IOM CP PROGRAM - IRAQ, & IT IS NOT ALLOWED TO COPY OR REPRODUCE ITS CONNECTION ANY FORM EXCEPT FOR THE PURPOSE WHICH IT IS INTENDED WITHOUT THE ABOVE CONSULTANTS AUTHORITY NOT SCALE THIS DRAWING ONLY STATED DIVISIONS ARE TO BE CONSIDERED.

NO.	DATE	DESCRIPTION

NEW COMMUNITY POLICING BUILDING
HADITHA CPO BUILDING - ANBAR GOV.

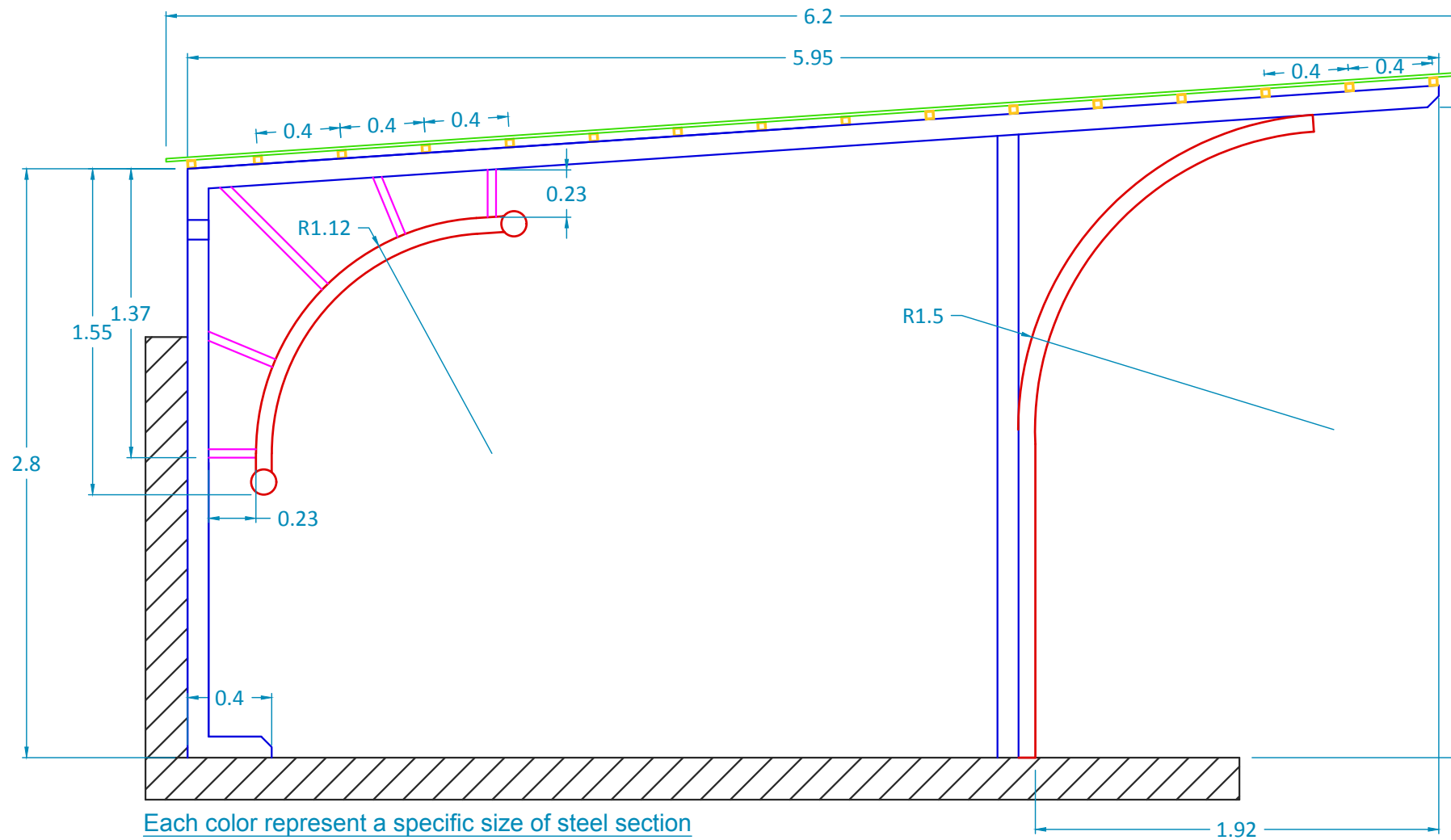
STEEL SHED FOR CARS
TOP VIEW

PROJECT ARCHITECT
RAAD HAMMOUDAT

STRUCTURAL DESIGNER
ALI JIHAD

SIGNATURE


Iraq Engineers Union ID No: 152306



Each color represent a specific size of steel section

Square section 100x100x3 mm

Circular section 60x2 mm

Square section 50x50x2 mm

Circular section 25x2 mm

Galvanic plate (roof tiles) 1 mm thickness

SECTION D-D

KEY PLAN

GENERAL NOTE:

THIS DRAWING IS THE COPYRIGHT OF IOM CP PROGRAM - IRAQ, & IT IS NOT ALLOWED TO COPY OR REPRODUCE ITS CONNECTION ANY FORM EXCEPT FOR THE PURPOSE WHICH IT IS INTENDED WITHOUT THE ABOVE CONSULTANTS AUTHORITY NOT SCALE THIS DRAWING ONLY STATED DIVISIONS ARE TO BE CONSIDERED.

NO.	DATE	DESCRIPTION

NEW COMMUNITY POLICING BUILDING
HADITHA CPO BUILDING - ANBAR GOV.

STEEL SHED FOR CARS
SECTION D-D

PROJECT ARCHITECT
RAAD HAMMOUDAT

STRUCTURAL DESIGNER
ALI JIHAD

SIGNATURE

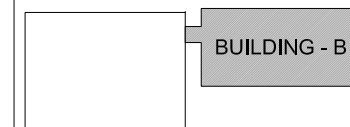

Iraq Engineers Union ID No.: 152306



IOM IRAQ
CP PROGRAM

BUILDING - B

ELECTRICAL DRAWINGS



KEY PLAN

GENERAL NOTE:
THIS DRAWING IS THE COPYRIGHT OF IOM CP PROGRAM - IRAQ, & IT IS NOT ALLOWED TO COPY OR REPRODUCE IT'S CONNECTION ANY FORM EXCEPT FOR THE PURPOSE WHICH IT IS INTENDED WITHOUT THE ABOVE CONSULTANTS AUTHORITY NOT SCALE THIS DRAWING ONLY STATED DIVISIONS ARE TO BE CONSIDERED.

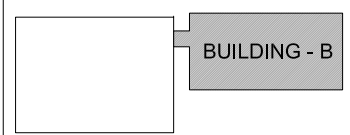
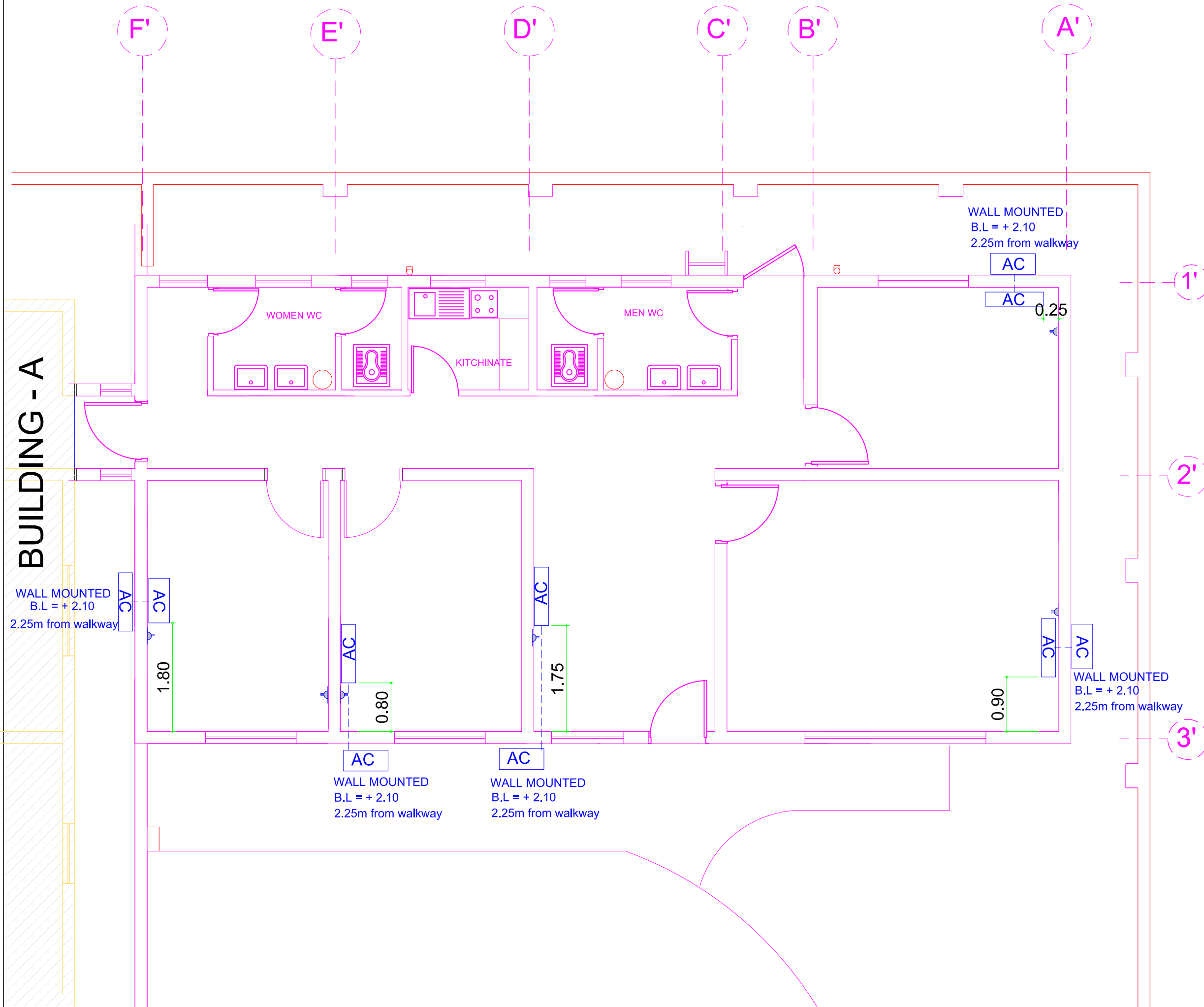
NO.	DATE	DESCRIPTION

PROJECT TITLE
NEW COMMUNITY POLICING BUILDING
BASRA CPO/RGC BUILDING

DRAWING TITLE

PROJECT ARCHITECT
RAAD HAMMODAT

DRAWING NO.



KEY PLAN

GENERAL NOTE:
THIS DRAWING IS THE COPYRIGHT OF IOM CP PROGRAM - IRAQ, & IT IS NOT ALLOWED TO COPY OR REPRODUCE ITS CONNECTION ANY FORM EXCEPT FOR THE PURPOSE WHICH IT IS INTENDED WITHOUT THE ABOVE CONSULTANTS AUTHORITY NOT SCALE THIS DRAWING ONLY STATED DIVISIONS ARE TO BE CONSIDERED.

NO.	DATE	DESCRIPTION

PROJECT TITLE
NEW COMMUNITY POLICING BUILDING
BASRA CPO/RGC PROJECT

DRAWING TITLE
AC SPLIT UNITS LAYOUT

PROJECT ARCHITECT
RAAD HAMMODAT

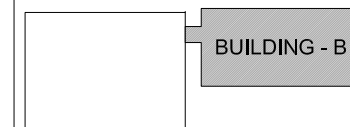
DRAWING NO. IOMCPIQGOV-ELB02



IOM IRAQ
CP PROGRAM

BUILDING - B

SANITARY DRAWINGS



KEY PLAN

GENERAL NOTE:

THIS DRAWING IS THE COPYRIGHT OF IOM CP PROGRAM - IRAQ, & IT IS NOT ALLOWED TO COPY OR REPRODUCE IT'S CONNECTION ANY FORM EXCEPT FOR THE PURPOSE WHICH IT IS INTENDED WITHOUT THE ABOVE CONSULTANTS AUTHORITY NOT SCALE THIS DRAWING ONLY STATED DIVISIONS ARE TO BE CONSIDERED.

NO.	DATE	DESCRIPTION

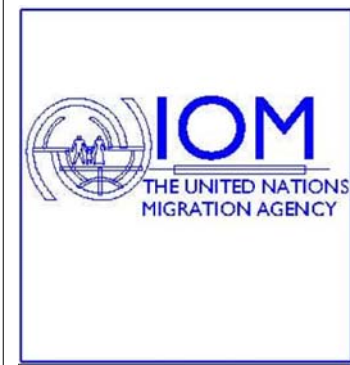
PROJECT TITLE

NEW COMMUNITY POLICING BUILDING
BASRA CPO/RGC BUILDING

DRAWING TITLE

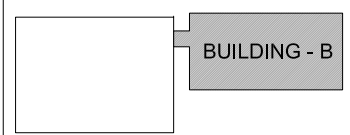
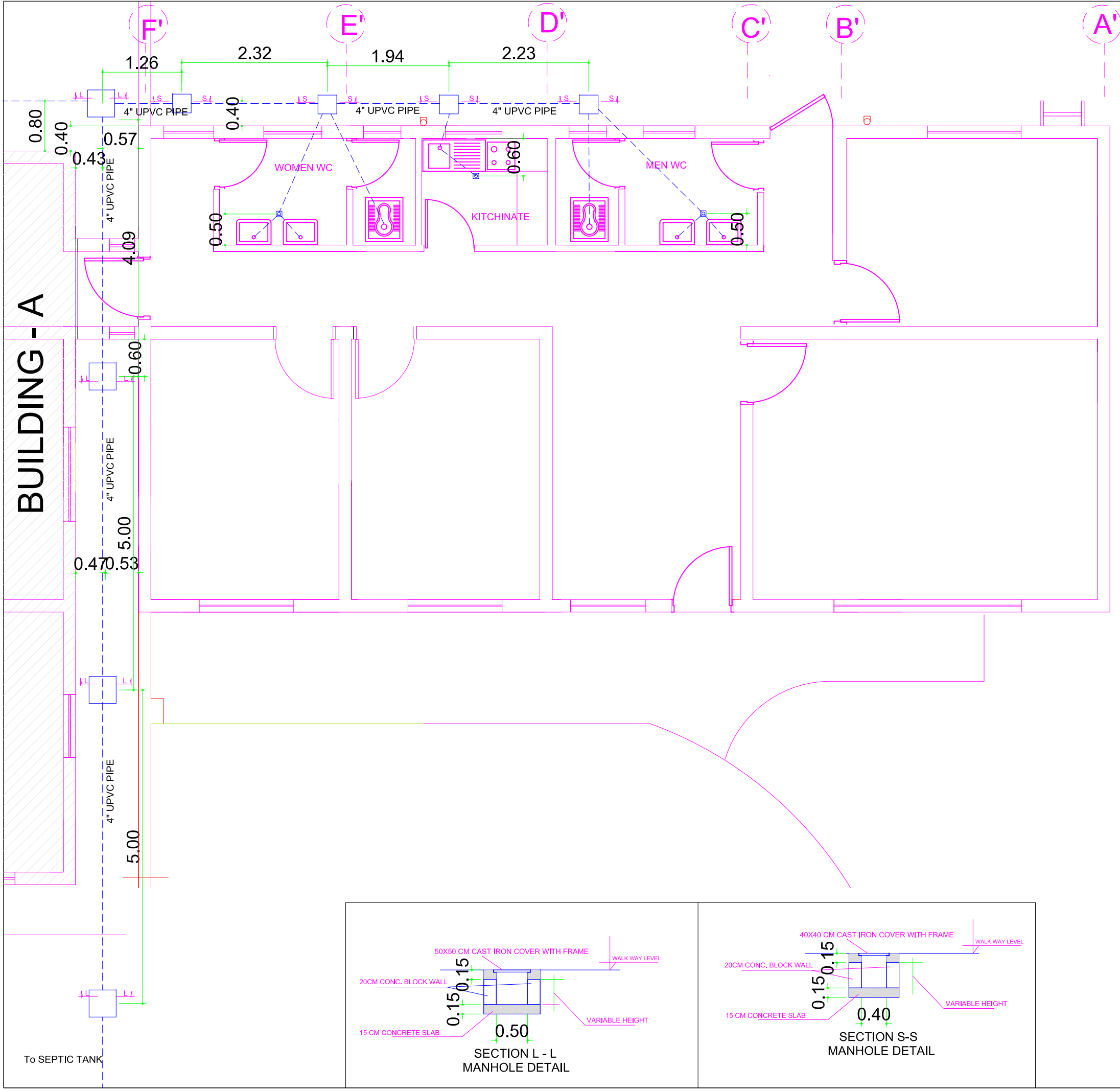
PROJECT ARCHITECT
RAAD HAMMODAT

DRAWING NO.



IOM IRAQ
CP PROGRAM

BUILDING - A



KEY PLAN

GENERAL NOTE:
THIS DRAWING IS THE COPYRIGHT OF IOM CP PROGRAM - IRAQ, & IT IS NOT ALLOWED TO COPY OR REPRODUCE ITS CONNECTION ANY FORM EXCEPT FOR THE PURPOSE WHICH IT IS INTENDED WITHOUT THE ABOVE CONSULTANTS AUTHORITY NOT SCALE THIS DRAWING ONLY STATED DIVISIONS ARE TO BE CONSIDERED.

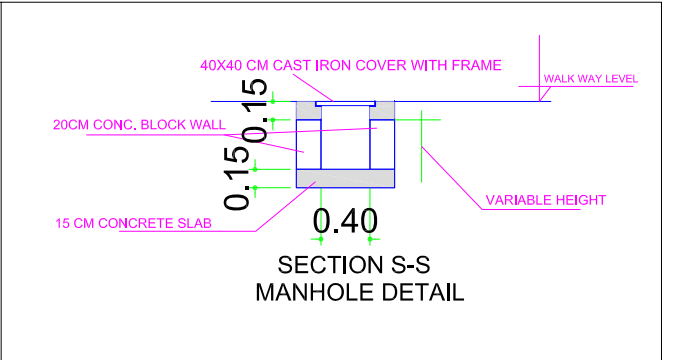
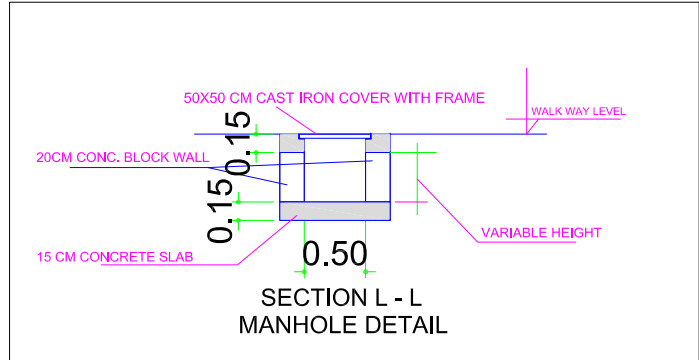
NO.	DATE	DESCRIPTION

PROJECT TITLE
NEW COMMUNITY POLICING BUILDING
BASRA CPO/RGC BUILDING

DRAWING TITLE
SEWAGE NETWORK & SEPTIC TANK

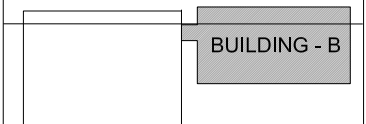
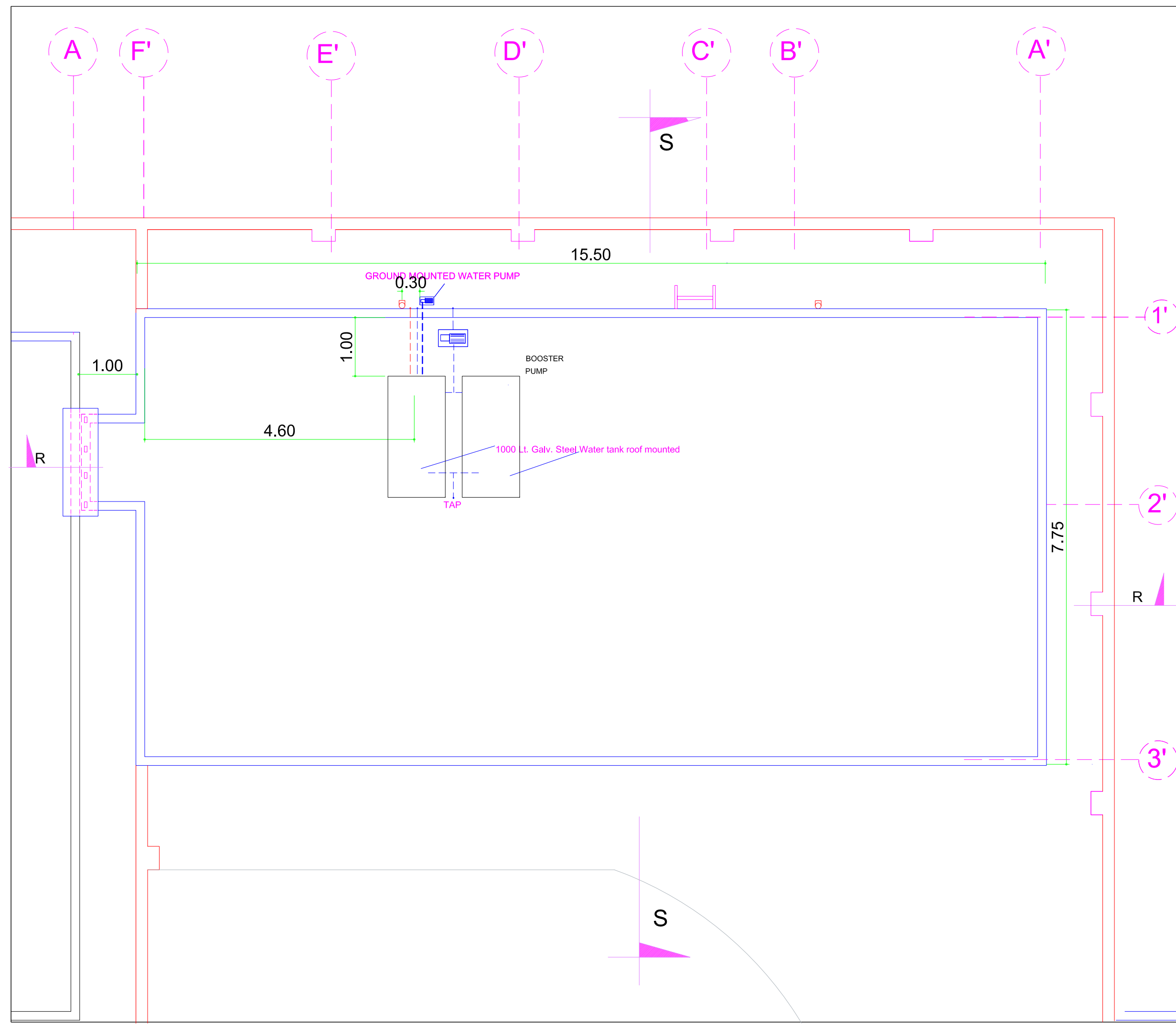
PROJECT ARCHITECT
RAAD HAMMODAT

DRAWING NO.
IOMCPIQGOV-SAB01





IOM IRAQ
CP PROGRAM



KEY PLAN

GENERAL NOTE:
THIS DRAWING IS THE COPYRIGHT OF IOM CP PROGRAM - IRAQ, & IT IS NOT ALLOWED TO COPY OR REPRODUCE ITS CONNECTION ANY FORM EXCEPT FOR THE PURPOSE WHICH IT IS INTENDED WITHOUT THE ABOVE CONSULTANTS AUTHORITY NOT SCALE THIS DRAWING ONLY STATED DIVISIONS ARE TO BE CONSIDERED.

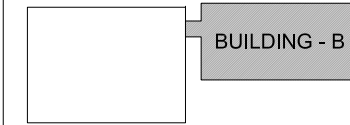
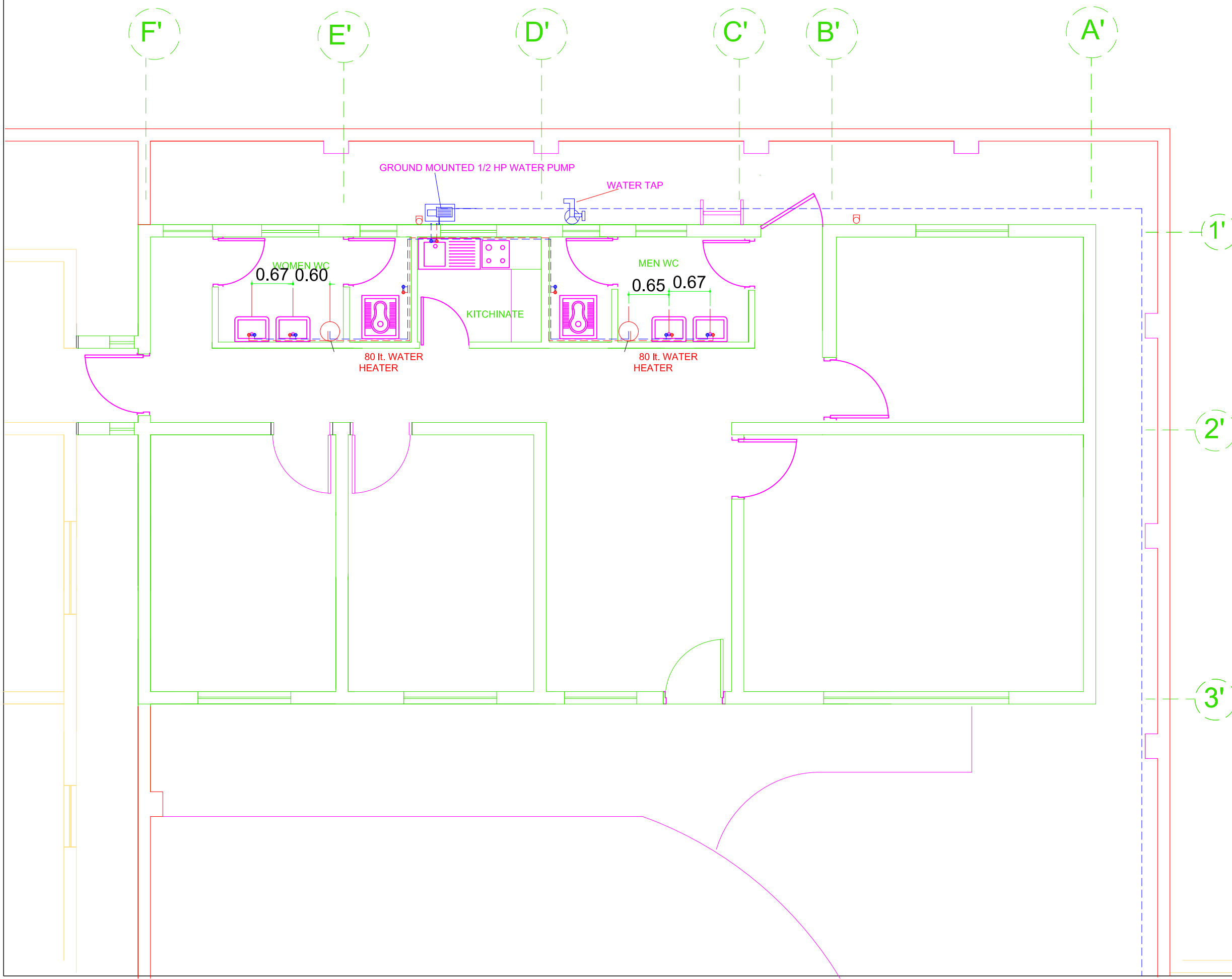
NO.	DATE	DESCRIPTION

PROJECT TITLE
NEW COMMUNITY POLICING BUILDING
BASRA CPO/RGC BUILDING

DRAWING TITLE
WATER TANKS

PROJECT ARCHITECT
RAAD HAMMODAT

DRAWING NO. IOMCPIQGOV-SAB02



KEY PLAN

GENERAL NOTE:
THIS DRAWING IS THE COPYRIGHT OF IOM CP PROGRAM - IRAQ, & IT IS NOT ALLOWED TO COPY OR REPRODUCE ITS CONNECTION ANY FORM EXCEPT FOR THE PURPOSE WHICH IT IS INTENDED WITHOUT THE ABOVE CONSULTANTS AUTHORITY NOT SCALE THIS DRAWING ONLY STATED DIVISIONS ARE TO BE CONSIDERED.

NO.	DATE	DESCRIPTION

PROJECT TITLE
NEW COMMUNITY POLICING BUILDING
BASRA CPO/RGC BUILDING

DRAWING TITLE
SANITARY FITTINGS LAYOUT

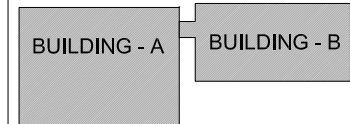
PROJECT ARCHITECT
RAAD HAMMODAT

DRAWING NO.
IOMCPIQGOV-SAB03



IOM IRAQ
CP PROGRAM

EXTERNAL UTILITES FOR BOTH BUILDINGS: A & B



KEY PLAN

GENERAL NOTE:
THIS DRAWING IS THE COPYRIGHT OF IOM CP PROGRAM - IRAQ, & IT IS NOT ALLOWED TO COPY OR REPRODUCE IT'S CONNECTION ANY FORM EXCEPT FOR THE PURPOSE WHICH IT IS INTENDED WITHOUT THE ABOVE CONSULTANSTS AUTHORITY NOT SCALE THIS DRAWING ONLY STATED DIVISIONS ARE TO BE CONSIDERED.

NO.	DATE	DESCRIPTION

PROJECT TITLE
NEW COMMUNITY POLICING BUILDING
BASRA CP/BG BUILDING
MISSAN CP BUILDING

DRAWING TITLE

PROJECT ARCHITECT
RAAD HAMMODAT

DESIGNED BY

DRAWING NO.



IOM IRAQ
CP PROGRAM

seq	DRAWING NO.	DRAWING NAME
EXTERNAL UTILITES FOR BOTH BUILDINGS: A & B		
<u>ELECTRICAL DRAWINGS</u>		
45	IOMCPIQGOV-ELAB01	MAIN EXTERNAL ELECTRICAL NETWORK
46	IOMCPIQGOV-ELAB02	EXTERNAL ELECTRICAL LIGHTING FITTINGS
<u>SANITARY DRAWINGS</u>		
47	IOMCPIQGOV-SAAB01	EXTERNAL POTABLE WATER NETWORK
48	IOMCPIQGOV-SAAB02	EXTERNAL SEWAGE NETWORK & SEPTIC TANK
CHILDREN PLAYGROUND		
49	IOMCPIQGOV-ST-01	STEEL SHED FOR PLAY-YARD - TOP VIEW
50	IOMCPIQGOV-ST-02	STEEL SHED FOR PLAY-YARD - SIDE VIEW
51	IOMCPIQGOV-ST-03	STEEL SHED FOR PLAY-YARD DETAIL - A -

BUILDING - A BUILDING - B

KEY PLAN

GENERAL NOTE:

THIS DRAWING IS THE COPYRIGHT OF IOM CP PROGRAM - IRAQ, & IT IS NOT ALLOWED TO COPY OR REPRODUCE ITS CONNECTION ANY FORM EXCEPT FOR THE PURPOSE WHICH IT IS INTENDED WITHOUT THE ABOVE CONSULTANTS AUTHORITY NOT SCALE THIS DRAWING ONLY STATED DIVISIONS ARE TO BE CONSIDERED.

NO.	DATE	DESCRIPTION

PROJECT TITLE
NEW COMMUNITY POLICING BUILDING
BASRA CPO/RGC BUILDING

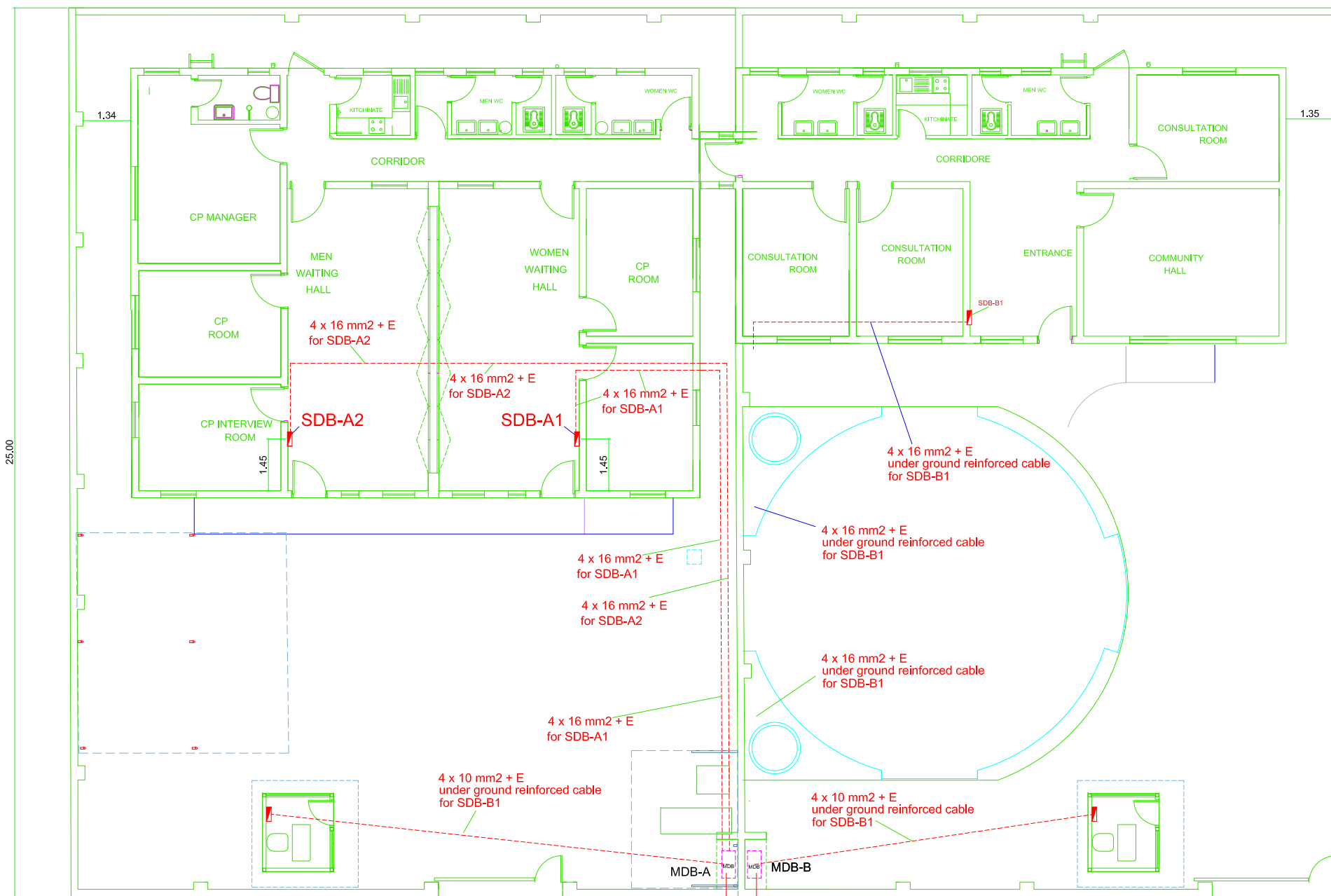
DRAWING TITLE
TITLE SHEET 03

PROJECT ARCHITECT
RAAD HAMMODAT

DRAWING NO.
IOMCPIQGOV-G-02-C

BUILDING - A

BUILDING - B



11 KV POLES LINE
FEEDING THE
TRANSFORMER

4 x 35 mm2 + E
underground
reinforced cable
for MDB-B

NEW 250 KVA
TRANSFORMER

4 x 35 mm2 + E
underground
reinforced cable
for MDB-A

GENERAL NOTE:

THIS DRAWING IS THE COPYRIGHT OF IOM CP PROGRAM - IRAQ, & IT IS NOT ALLOWED TO COPY OR REPRODUCE ITS CONNECTION ANY FORM EXCEPT FOR THE PURPOSE WHICH IT IS INTENDED WITHOUT THE ABOVE CONSULTANTS AUTHORITY NOT SCALE THIS DRAWING ONLY STATED DIVISIONS ARE TO BE CONSIDERED.

NO.	DATE	DESCRIPTION

PROJECT TITLE

NEW COMMUNITY POLICING BUILDING
BASRA CPO/RGC BUILDING

DRAWING TITLE

MAIN EXTERNAL ELECTRICAL NETWORK

PROJECT ARCHITECT

RAAD HAMMODAT

DESIGNED BY

DRAWN BY

DRAWING NO.

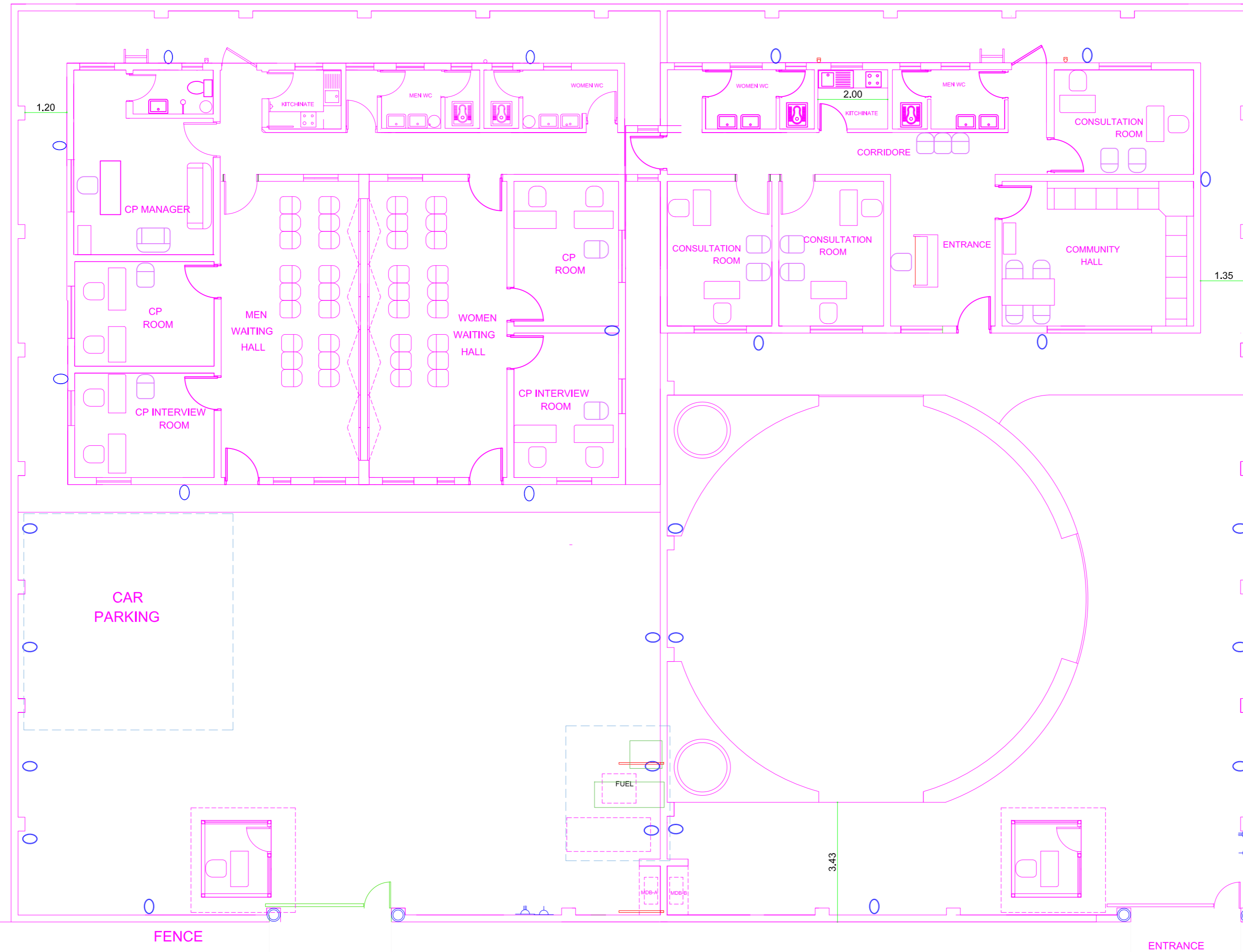
IOMCPIQGOV-ELAB01

BUILDING - A

BUILDING - B

LEGEND

- Weatherproof outdoors LED lighting fixture Especially for sides of gates
- Weatherproof outdoors LED lighting fixture
- switch light
- Switch plug 13 A



IOM IRAQ
CP PROGRAM

GENERAL NOTE:
THIS DRAWING IS THE COPYRIGHT OF IOM CP PROGRAM - IRAQ, & IT IS NOT ALLOWED TO COPY OR REPRODUCE IT'S CONNECTION ANY FORM EXCEPT FOR THE PURPOSE WHICH IT IS INTENDED WITHOUT THE ABOVE CONSULTANTS AUTHORITY NOT SCALE THIS DRAWING ONLY STATED DIVISIONS ARE TO BE CONSIDERED.

NO.	DATE	DESCRIPTION

PROJECT TITLE
NEW COMMUNITY POLICING BUILDING
BASRA CPO/RGC BUILDING

DRAWING TITLE
EXTERNAL ELECTRICAL
LIGHTING FITTINGS

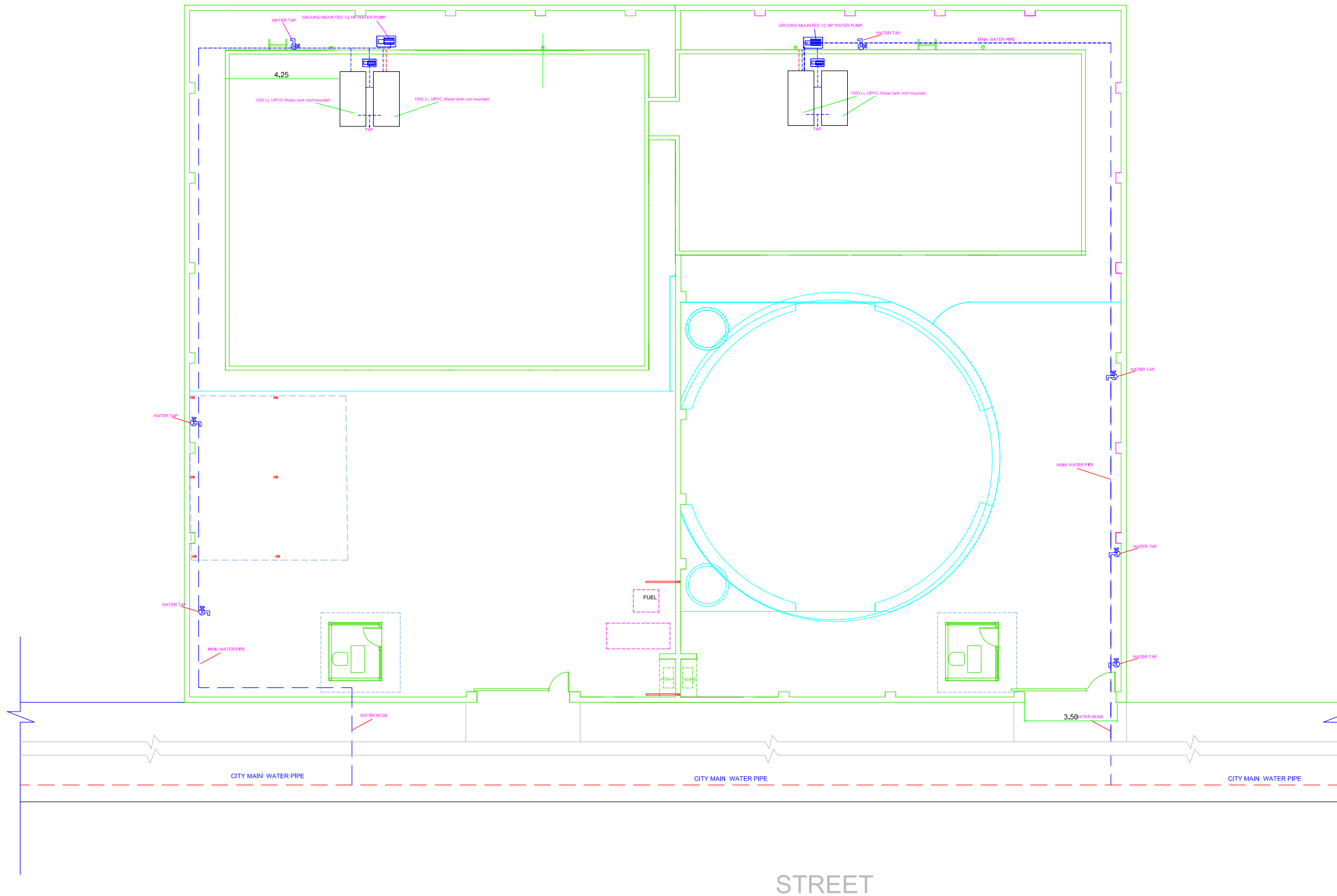
PROJECT ARCHITECT
RAAD HAMMODAT

DRAWING NO.
IOMCPIQGOV-ELAB02

STREET

BUILDING - A

BUILDING - B



IOM IRAQ
CP PROGRAM

GENERAL NOTE:
THIS DRAWING IS THE COPYRIGHT OF IOM CP PROGRAM - IRAQ, & IT IS NOT ALLOWED TO COPY OR REPRODUCE ITS CONNECTION ANY FORM EXCEPT FOR THE PURPOSE WHICH IT IS INTENDED WITHOUT THE ABOVE CONSULTANTS AUTHORITY NOT SCALE THIS DRAWING ONLY STATED DIVISIONS ARE TO BE CONSIDERED.

NO.	DATE	DESCRIPTION
	09-09-18	CHANGING THE LAND

PROJECT TITLE
NEW COMMUNITY POLICING BUILDING
BASRA CPO/RGC BUILDING

DRAWING TITLE
EXTERNAL POTABLE
WATER NETWORK

PROJECT ARCHITECT
RAAD HAMMODAT

DESIGNED BY
RAAD HAMMODAT

DRAWING NO.
IOMCPIQGOV-SAAB01

